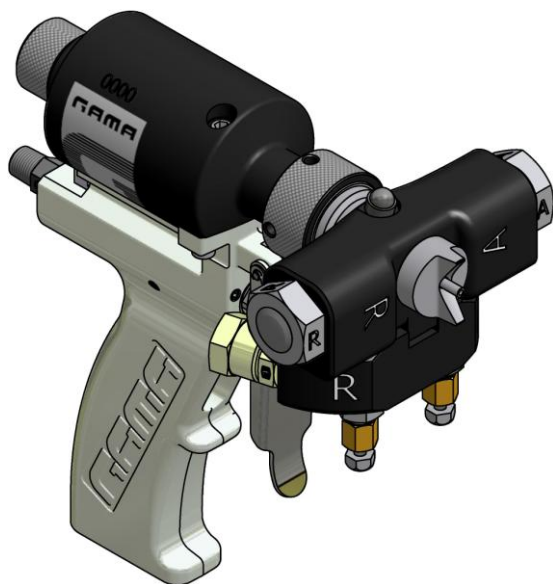


# Parts Manual

## Spray Gun

### Series Master II

Issue 2.4 30/10/2012  
Ref. NR-00020-ENG



***Before starting or carrying out maintenance work on the MASTER II gun, please carefully read all the technical and safety documentation included in the Manual Service. It is important to pay special attention to the information contained to see and understand the handling and conditions of use of the gun. This information is aimed at USER SAFETY and the PREVENTION OF PROBLEMS.***



## WARRANTY

GARRAF MAQUINARIA, S. A. (hereinafter "GAMA") provides this **LIMITED WARRANTY** (hereinafter "Warranty") to the original purchaser (hereinafter "Customer") covering this equipment and the original GAMA manufactured accessories delivered with the equipment (hereinafter "Product") against defects in material or workmanship of the Product (hereinafter "Defect" or "Defective") for a period of two (2) years from the date of first purchase as shown on the original GAMA invoice (hereinafter "Warranty Period").

If during the Warranty Period under normal use, the Product is suspected by Customer to be Defective in material or workmanship, it is Customer's responsibility to contact GAMA and return the Product to GAMA as directed by GAMA, freight prepaid. If GAMA determines that the Product is Defective and that such Defect is covered by this Warranty, GAMA will credit Customer for the reasonable freight charges incurred by Customer in returning the Defective Product to GAMA, and GAMA (or its authorized agent) will, at GAMA's option, repair or replace the Product, subject to the following:

**Original Invoice:** The original invoice must be kept as proof of the date of first sale and the Product serial number. The Warranty does not cover any Product if the Original Invoice appears to have been modified or altered, or when the serial number on the Product appears to have been altered or defaced.

**Product Maintenance:** It is the Customer's responsibility to maintain the Product properly. See your maintenance schedule and owner's manual for details. The Warranty does not cover an improperly maintained Product.

**Non-GAMA Components and Accessories:** Non-GAMA manufactured components and accessories that are used in the operation of the Product are not covered by this Warranty. Such components and accessories shall be subject to the warranty offered to the Customer, if any, by the original manufacturer of such component or accessory.

**Other Warranty Exclusions:** The Warranty does not cover any Product that GAMA determines has been damaged or fails to operate properly due to misuse, negligence, abuse, carelessness, neglect, or accident. By way of example only, this includes:

- Normal wear and tear.
- Improper or unauthorized installation, repair, alteration, adjustment or modification of the Product.
- Use of heating devices, pumping equipment, dispensers, or other parts or accessories with the Product that have not been approved or manufactured by GAMA.
- Failure to follow the operating instructions and recommendations provided by GAMA.
- Cosmetic damage.
- Fire, flood, "acts of God," or other contingencies beyond the control of GAMA.

**THE WARRANTY DESCRIBED HEREIN IS THE EXCLUSIVE REMEDY FOR THE CUSTOMER AND IS IN LIEU OF ALL OTHER WARRANTIES, EXPRESS, IMPLIED, STATUTORY OR OTHERWISE, AND THE IMPLIED WARRANTIES OF MERCHANTABILITY AND FITNESS FOR A PARTICULAR PURPOSE AND ALL OTHER WARRANTIES ARE HEREBY DISCLAIMED. TO THE FULLEST EXTENT PERMITTED BY LAW, GAMA SHALL NOT BE RESPONSIBLE, WHETHER BASED IN CONTRACT, TORT (INCLUDING, WITHOUT LIMITATION, NEGLIGENCE), WARRANTY OR ANY OTHER LEGAL OR EQUITABLE GROUNDS, FOR ANY CONSEQUENTIAL, INDIRECT, INCIDENTAL, LOST PROFITS, SPECIAL, PUNITIVE OR EXEMPLARY DAMAGES, WHETHER TO PERSON OR PROPERTY, ARISING FROM OR RELATING TO THE PRODUCT, EVEN IF GAMA HAS BEEN ADVISED OF THE POSSIBILITY OF SUCH LOSSES OR DAMAGES.**

**Non-Warranty Service by GAMA:** If GAMA determines that the suspected Defect of the Product is not covered by this Warranty, disposition of the Product will be made pursuant to the terms and conditions of GAMA's written estimate on a time and materials basis.

**Continuing Warranty for Products Repaired or Replaced under Warranty:** Following the repair or replacement of a Product covered by this Warranty, such Product will continue to be subject to the original Warranty for the remainder of original Warranty Period or for three (3) months from the repair or replacement date, whichever is longer.

**No Rights Implied:** Nothing in the sale, lease or rental of any Product by GAMA shall be construed to grant any right, interest or license in or under any patent, trademark, copyright, trade secret or other proprietary right or material owned by anyone; nor does GAMA encourage the infringement of same.

**Exclusive Warranty:** This writing is the final, complete, and exclusive expression of the Warranty covering the Product. Any statements made by GAMA, its employees or agents that differ from the terms of this Warranty shall have no effect. It is expressly understood that Customer's acceptance of this Warranty, by performance or otherwise, is upon and subject solely to the terms and conditions hereof, and any additional or different terms and conditions proposed or expressed by Customer or anyone, whether in writing or otherwise, are null and void unless specifically agreed to in writing by an Officer of GAMA.

## STANDARD FINAL ASSEMBLY

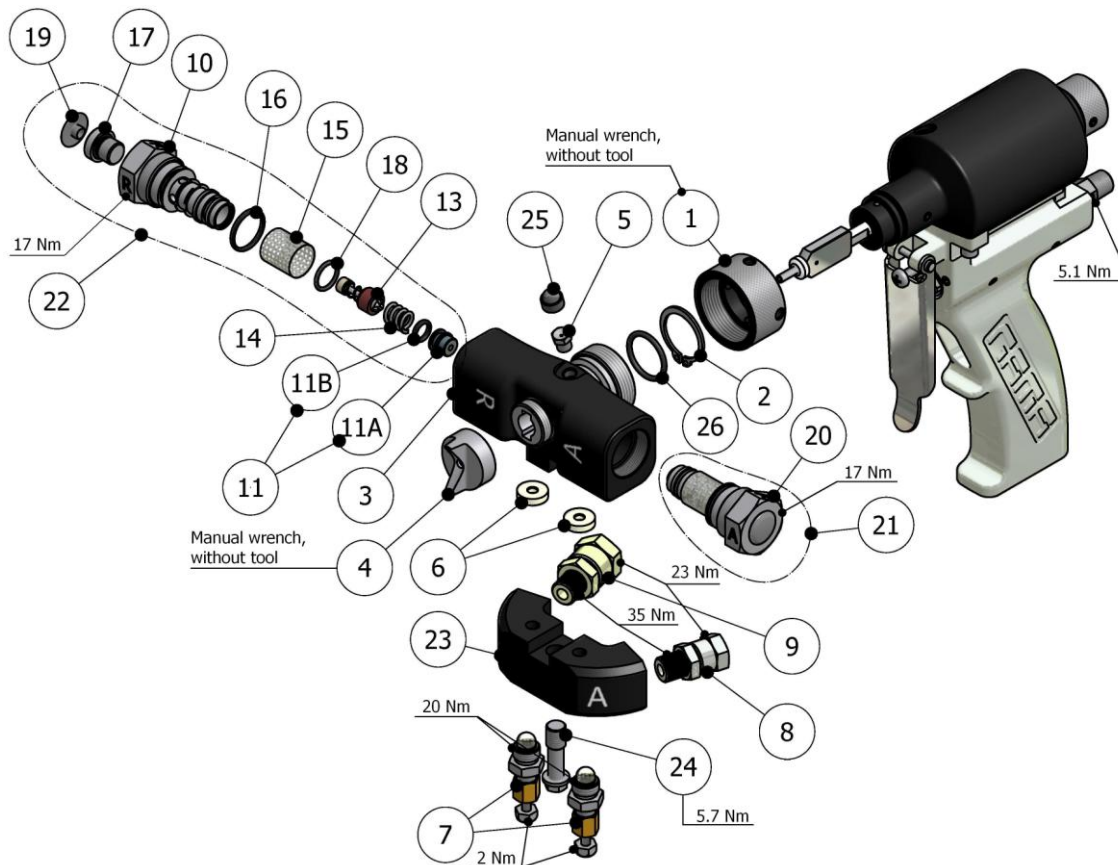


Figure 1. Standard Final Assembly, Master II Gun

Table 1. Standard Final Assembly Parts List  
Master II Gun

| Item | Description       | Par Number  | Qty. |
|------|-------------------|-------------|------|
| 1    | Block Fixture Nut | GU-02107    | 1    |
| 2    | Retention Ring    | TN-00218    | 1    |
| 3    | Mixing Block Unit | GU-02108-00 | 1    |
| 4    | Diffuser          | See Table 9 | 1    |
| 5    | Greaser           | TN-00292    | 1    |
| 6    | Input Block Seal  | GU-03012    | 2    |
| 7    | Manual Valve Unit | GU-02020-00 | 2    |



## Parts Manual

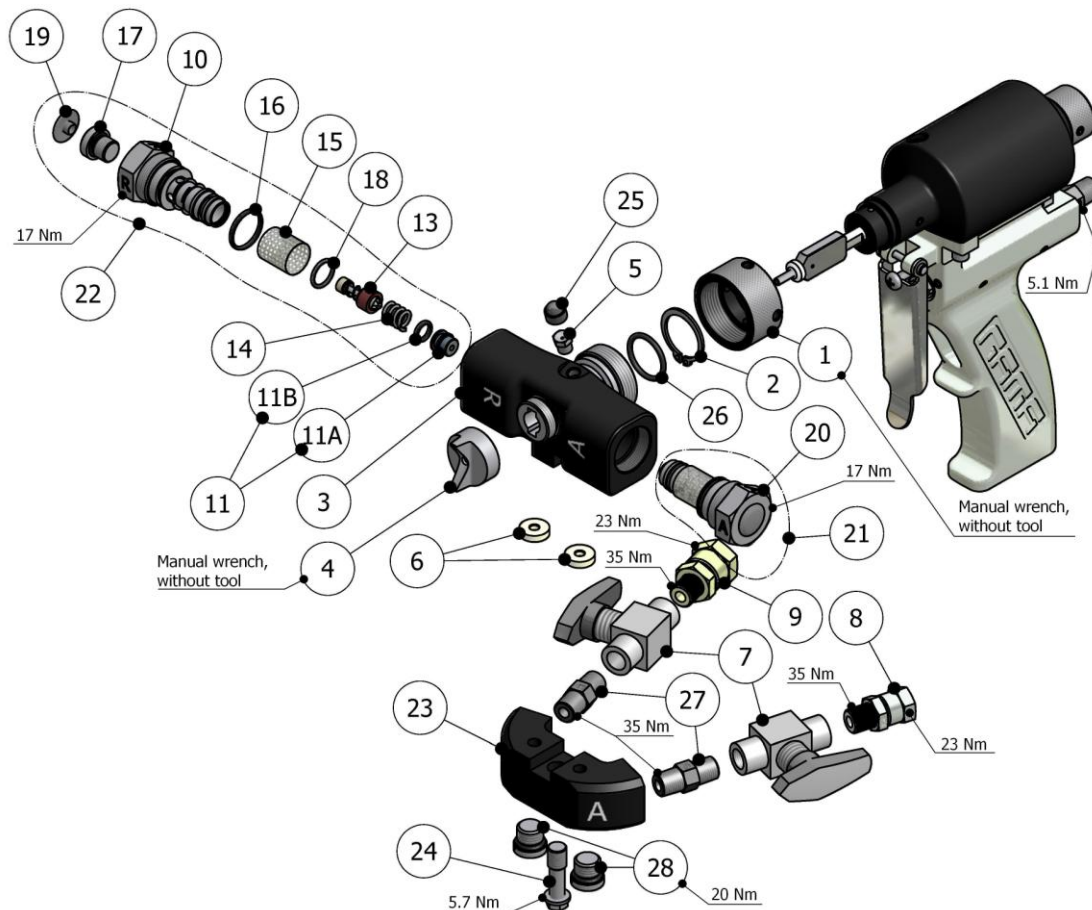
| Item       | Description   | Par Number            | Qty. |
|------------|---|-----------------------|------|
| 8          | Male Joint- Free Nut  | RA-00005              | 1    |
| 9          | Male Joint- Free Nut  | RA-00006              | 1    |
| 10         | POL Side Cartridge Housing  | GU-02103              | 1    |
| 11         | Assy Metal Seal Bushing, include item 11A & 11B<br>(for Small Size Chambers #0,1,2,3) | GU-02031              | 2    |
|            | Assy Metal Seal Bushing, include item 11A & 11B<br>(for Small Size Chambers #4, 5)    | GU-02049              | 2    |
| 11A        | Metal Seal Bushing for Small Size Chambers #0,1,2,3                                   | GU-02031-03           | 2    |
|            | Metal Seal Bushing for Large Size Chambers #4,5                                       | GU-02049-02           | 2    |
| 11B        | O-ring  | OR-00024              | 2    |
| 13         | Non-Return Unit   | GU-02113-00           | 2    |
| 14         | Metal Contact Bushing Spring  | SP-00005              | 2    |
| 15         | Filter 40 (standard), 60 & 80 Mesh (optional)   | GU-02112-40<br>/60/80 | 2    |
| 16         | O-ring  | OR-00036              | 2    |
| 17         | Stopper   | RA-00211              | 2    |
| 18         | O-ring  | OR-00069              | 2    |
| 19         | Protection Stopper  | RA-00241              | 2    |
| 20         | ISO Side Cartridge Housing  | GU-02102              | 1    |
| 21<br>(#1) | ISO Side Cartridge Unit for Small Size Chambers #0,1,2,3                              | GU-02102-00           | 1    |
|            | ISO Side Cartridge Unit for Large Size Chambers #4,5                                  | GU-02102-01           | 1    |
| 22<br>(#2) | POL Side Cartridge Unit for Small Size Chambers#0,1,2,3                               | GU-02103-00           | 1    |
|            | POL Side Cartridge Unit for Large Size Chambers #4,5                                  | GU-02103-01           | 1    |
| 23         | Input Block Unit  | GU-02115-00           | 1    |
| 24         | Input Block Screw   | GU-04036              | 1    |
| 25         | Greaser Stopper   | RA-00125              | 4    |
| 26         | O-ring  | OR-00055              | 1    |

**(#1) Item. 21, includes from Item. 11 to Item. 20 (one unit of each).**

**(#2) Item 22, includes from Item. 10 to Item. 19 (one unit of each).**

**Item 11A & 11B, are included in item 11.**

## BALL VALVE FINAL ASSEMBLY (OPTIONAL)



**Figure 2. Ball Valve Final Assembly (OPTIONAL)  
Master II Gun**

**Table 2. Ball Valve Final Assembly Parts List (OPTIONAL)  
Master II Gun**

| Item | Description       | Reference   | Qty. |
|------|-------------------|-------------|------|
| 1    | Block Fixture Nut | GU-02107    | 1    |
| 2    | Retention Ring    | TN-00218    | 1    |
| 3    | Mixing Block Unit | GU-02108-00 | 1    |
| 4    | Diffuser          | See Table 9 | 1    |
| 5    | Greaser           | TN-00292    | 1    |



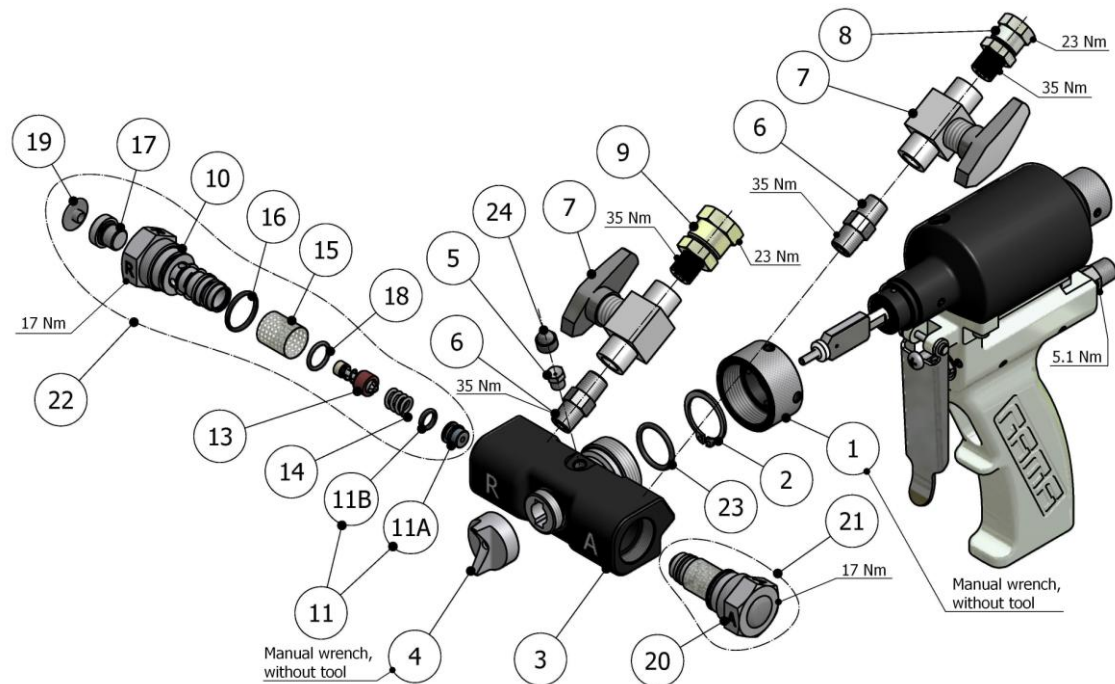
| Item.      | Description   | Reference             | Qty. |
|------------|---|-----------------------|------|
| 6          | Input Block Seal  | GU-03012              | 2    |
| 7          | Ball Valve  | RA-00070H             | 2    |
| 8          | Male Joint- Free Nut  | RA-00005              | 1    |
| 9          | Male Joint- Free Nut  | RA-00006              | 1    |
| 10         | POL Side Cartridge Housing  | GU-02103              | 1    |
| 11         | Assy Metal Seal Bushing, include item 11A & 11B<br>(for Small Size Chambers #0,1,2,3) | GU-02031              | 2    |
|            | Assy Metal Seal Bushing, include item 11A & 11B<br>(for Small Size Chambers #4, 5)    | GU-02049              | 2    |
| 11A        | Metal Seal Bushing for Small Size Chambers #0,1,2,3                                   | GU-02031-03           | 2    |
|            | Metal Seal Bushing for Large Size Chambers #4,5                                       | GU-02049-02           | 2    |
| 11B        | O-ring  | OR-00024              | 2    |
| 13         | Non-Return Unit   | GU-02113-00           | 2    |
| 14         | Metal Contact Bushing Spring  | SP-00005              | 2    |
| 15         | Filter 40 (standard), 60 & 80 Mesh (optional)   | GU-02112-40<br>/60/80 | 2    |
| 16         | O-ring  | OR-00036              | 2    |
| 17         | Stopper   | RA-00211              | 2    |
| 18         | O-ring  | OR-00069              | 2    |
| 19         | Protection Stopper  | RA-00241              | 2    |
| 20         | ISO Side Cartridge Housing  | GU-02102              | 1    |
| 21<br>(#1) | ISO Side Cartridge Unit for Small Size Chambers #0,1,2,3                              | GU-02102-00           | 1    |
|            | ISO Side Cartridge Unit for Large Size Chambers #4,5                                  | GU-02102-01           | 1    |
| 22<br>(#2) | POL Side Cartridge Unit for Small Size Chambers#0,1,2,3                               | GU-02103-00           | 1    |
|            | POL Side Cartridge Unit for Large Size Chambers #4,5                                  | GU-02103-01           | 1    |
| 23         | Input Block Unit  | GU-02115-00           | 1    |
| 24         | Input Block Screw   | GU-04036              | 1    |
| 25         | Greaser Stopper   | RA-00125              | 4    |
| 26         | O-ring  | OR-00055              | 1    |
| 27         | Pillar  | RA-00112              | 2    |
| 28         | Stopper   | RA-00242              | 2    |

*(#1) Item. 21, includes from Item. 11 to Item. 20 (one unit of each).*

*(#2) Item 22, includes from Item. 10 to Item. 19 (one unit of each).*

*Item 11A & 11B, are included in item 11.*

## DIRECT INPUT FINAL ASSEMBLY (OPTIONAL)



**Figure 3. Direct Input Final Assembly (OPTIONAL)  
Master II Gun**

**Table 3. Direct Input Final Assembly Parts List (OPTIONAL)  
Master II Gun**

| Item. | Description                    | Reference   | Qty. |
|-------|--------------------------------|-------------|------|
| 1     | Block Fixture Nut              | GU-02107    | 1    |
| 2     | Retention Ring                 | TN-00218    | 1    |
| 3     | Direct Input Mixing Block Unit | GU-02128-00 | 1    |
| 4     | Diffuser                       | See Table 9 | 1    |
| 5     | Greaser                        | TN-00292    | 1    |
| 6     | Pillar                         | RA-00112    | 2    |
| 7     | Ball Valve                     | RA-00070H   | 2    |
| 8     | Male Joint- Free Nut           | RA-00005    | 1    |
| 9     | Male Joint- Free Nut           | RA-00006    | 1    |
| 10    | POL Side Cartridge Housing     | GU-02103    | 1    |



## Parts Manual

| Item.      | Description   | Reference             | Qty. |
|------------|---|-----------------------|------|
| 11         | Assy Metal Seal Bushing, include item 11A & 11B<br>(for Small Size Chambers #0,1,2,3) | GU-02031              | 2    |
|            | Assy Metal Seal Bushing, include item 11A & 11B<br>(for Small Size Chambers #4, 5)    | GU-02049              | 2    |
| 11A        | Metal Seal Bushing for Small Size Chambers #0,1,2,3                                   | GU-02031-03           | 2    |
|            | Metal Seal Bushing for Large Size Chambers #4,5                                       | GU-02049-02           | 2    |
| 11B        | O-ring  | OR-00024              | 2    |
| 13         | Non-Return Unit   | GU-02113-00           | 2    |
| 14         | Metal Contact Bushing Spring  | SP-00005              | 2    |
| 15         | Filter 40 (standard), 60 & 80 Mesh (optional)   | GU-02112-40<br>/60/80 | 2    |
| 16         | O-ring  | OR-00036              | 2    |
| 17         | Stopper   | RA-00211              | 2    |
| 18         | O-ring  | OR-00069              | 2    |
| 19         | Protection Stopper  | RA-00241              | 2    |
| 20         | ISO Side Cartridge Housing  | GU-02102              | 1    |
| 21<br>(#1) | ISO Side Cartridge Unit for Small Size Chambers #0,1,2,3                              | GU-02102-00           | 1    |
|            | ISO Side Cartridge Unit for Large Size Chambers #4,5                                  | GU-02102-01           | 1    |
| 22<br>(#2) | POL Side Cartridge Unit for Small Size Chambers#0,1,2,3                               | GU-02103-00           | 1    |
|            | POL Side Cartridge Unit for Large Size Chambers #4,5                                  | GU-02013-01           | 1    |
| 23         | O-ring  | OR-00055              | 1    |
| 24         | Greasers Stopper  | RA-00125              | 4    |

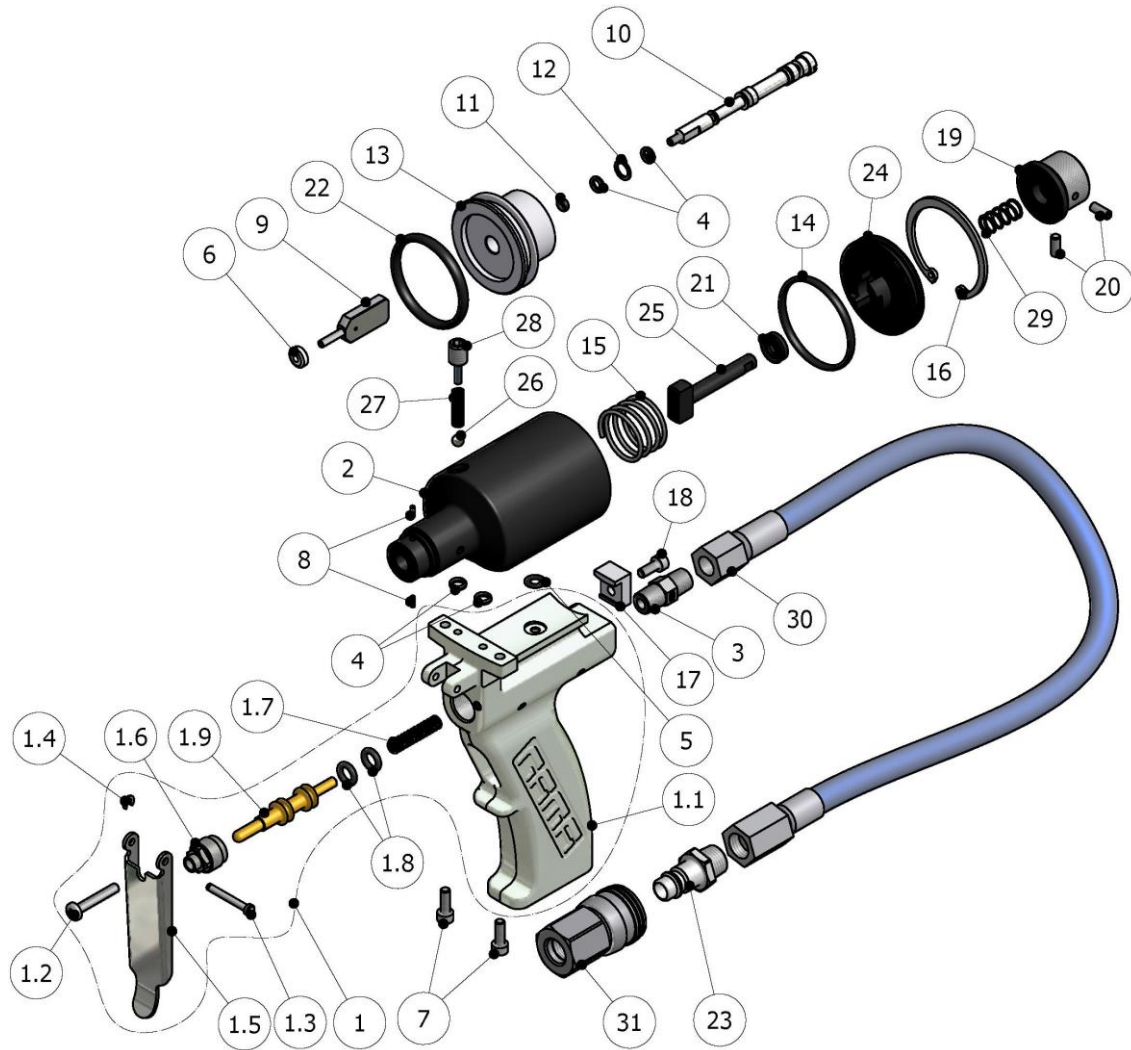
*(#1) Item. 21, includes from Item. 11 to Item. 20 (one unit of each).*

*(#2) Item 22, includes from Item. 10 to Item. 19 (one unit of each).*

*Item 11A & 11B, are included in item 11.*



## AIR CYLINDER AND GRIP ASSEMBLY



**Figure 4. Air Cylinder and Grip Assembly  
Master II Gun**



**Table 4. Air Cylinder and Grip Parts List  
Master II Gun**

| Item | Description                                       | Reference   | Qty. |
|------|---|-------------|------|
| 1    | Handle Assy with Trigger                          | GU-02129-02 | 1    |
| 1.1  | Handle with Plugs (*)                             | GU-02129-01 | 1    |
| 1.1A | Handle Mechanized and Polished without Plugs (°)  | GU-02129-00 | 1    |
| 1.1B | Plug (°)  | TN-00246    | 6    |
| 1.2  | Trigger Stop Bolt (*)                             | TN-00235    | 1    |
| 1.3  | Trigger Pin (*)                                   | GU-01035    | 1    |
| 1.4  | Retention Washer (*)                              | TN-00006    | 1    |
| 1.5  | Trigger (*)                                       | GU-02132    | 1    |
| 1.6  | Trigger Valve Nut (*)                             | GU-02131    | 1    |
| 1.7  | Trigger Spring (*)                                | SP-00022    | 1    |
| 1.8  | O-ring (*)  | OR-00079    | 2    |
| 1.9  | Trigger Shaft (*)                                 | GU_02130    | 1    |
| 2    | Double Effect Cylinder Sleeve                     | GU-02101    | 1    |
| 3    | Hex. Nipple                                       | RA-00112    | 1    |
| 4    | O-ring  | OR-00002    | 2    |
| 5    | O-ring  | OR-00024    | 1    |
| 6    | Chamber Seal                                      | See Table 9 | 1    |
| 7    | Cylindrical Head Screw                            | TN-00049    | 2    |
| 8    | Pin   | TN-00214    | 2    |
| 9    | Chamber   | See Table 9 | 1    |
| 10   | Double Effect Plunger Shaft Unit (#)              | GU-02010-00 | 1    |
|      | Double Effect Plunger Shaft (included in Pos. 10) | GU-02010-01 | 1    |
|      | Bolt (included in Pos. 10)                        | TN-00010    | 1    |
| 11   | O-ring  | OR-00028    | 1    |
| 12   | Retention Ring                                    | TN-00093    | 1    |
| 13   | Plunger   | GU-02009    | 1    |
| 14   | O-ring  | OR-00026    | 1    |
| 15   | Plunger Spring                                    | SP-00007    | 1    |
| 16   | Retention Ring                                    | TN-00092    | 1    |



## Parts Manual

| Item | Description              | Reference | Qty. |
|------|--------------------------|-----------|------|
| 17   | Sleeve Staple            | GU-02021  | 1    |
| 18   | Cylindrical Head Screw   | TN-00002  | 1    |
| 19   | Block Activator          | GU-02007  | 1    |
| 20   | Threaded Bolt            | TN-00099  | 2    |
| 21   | Collar                   | OR-00027  | 1    |
| 22   | O-ring                   | OR-00029  | 1    |
| 23   | Air Connector            | RA-00110  | 1    |
| 24   | Cylinder Block           | GU-02003  | 1    |
| 25   | Lock Bolt                | GU-02008  | 1    |
| 26   | Non-Return Ball          | TN-00228  | 1    |
| 27   | Non-Return Spring        | SP-00021  | 1    |
| 28   | Ball Stop                | GU-02120  | 1    |
| 29   | Blocking Spring          | SP-00008  | 1    |
| 30   | Hose Air Supply          | MA-00027  | 1    |
| 31   | Quick Connect Air Supply | RA-00109  | 1    |

**(#) Includes 2 x Item 4 and 1 x Item 11**

**(\*) Parts included in Item 1**

**(°) Parts included in Item 1.1**





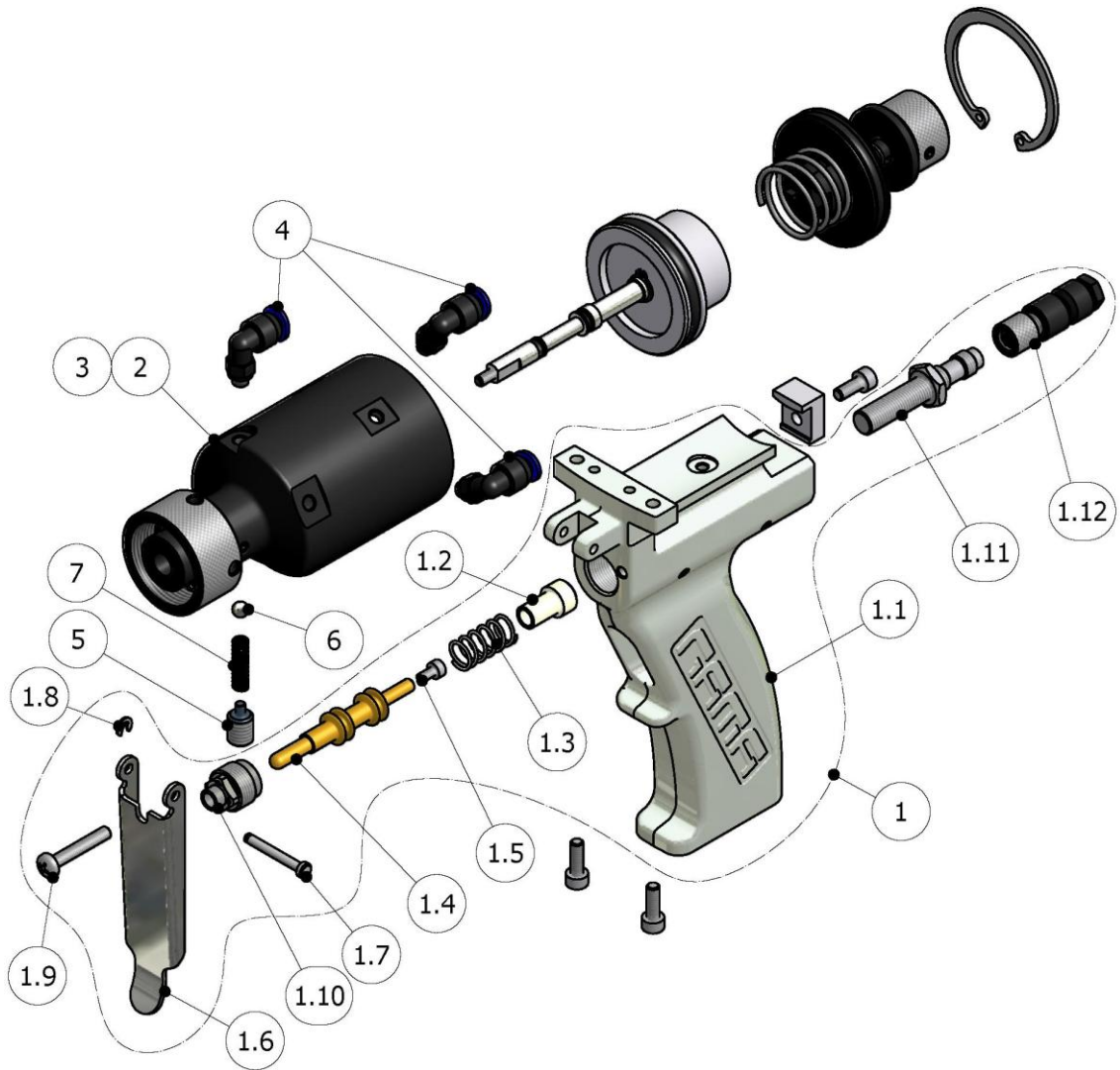
**Table 5. Magnetic Switch Assembly Parts List (OPTIONAL)**

| Item | Description   | Reference   | Qty. |
|------|---|-------------|------|
| 1    | Magnetic Switch Air Cylinder                          | GU-02101-01 | 1    |
| 2    | Magnetic Switch Air Cylinder for Timer & Auto Version | GU-02101-03 | 1    |
| 3    | Magnetic Plunger Unit (includes Pos. 4, 5 and 6)      | GU-02034-00 | 1    |
| 4    | Magnetic Plunger (included in Pos. 3)                 | GU-02034-01 | 1    |
| 5    | Neodymium Magnet (included in Pos. 3)                 | GU-02034-02 | 2    |
| 6    | Retention Ring (included in Pos. 3)                   | TN-00009    | 1    |
| 7    | Magnetic Switch Bracket                               | GU-02051    | 1    |
| 8    | Cylindrical Head Screw                                | TN-00002    | 1    |
| 9    | Magnetic Switch with cable 2.5 m + Square Connector.  | EL-00136-04 | 1    |

**N.B.:**

***Fit the correct Air Cylinder for the gun version; Standard or Automatic/Timer.***

**ASSEMBLY FOR TIMER (OPTIONAL)**



*Figure 6. Assembly for Timer (OPTIONAL)*



**Table 6. Assembly for Timer Parts List (OPTIONAL)**

| Item | Description   | Reference    | Qty. |
|------|---|--------------|------|
| 1    | Handle Assy with Trigger for Timer                    | GU-02129-02A | 1    |
| 1.1  | Handle Mechanized and Polished (*)                    | GU-02129-A0  | 1    |
| 1.2  | Timer Trigger Spring Seat (*)                         | GU-02135     | 1    |
| 1.3  | Timer Trigger Spring (*)                              | SP-00023     | 1    |
| 1.4  | Timer Trigger Shaft (*)                               | GU-02130-A   | 1    |
| 1.5  | Cylindrical Head Screw (*)                            | TN-00020     | 1    |
| 1.6  | Trigger (*)   | GU-02132     | 1    |
| 1.7  | Trigger Pin (*)                                       | GU-01035     | 1    |
| 1.8  | Retention Washer (*)                                  | TN-00006     | 1    |
| 1.9  | Trigger Stop Bolt (*)                                 | TN-00235     | 1    |
| 1.10 | Trigger Valve Nut (*)                                 | GU-02131     | 1    |
| 1.11 | Inductive Switch (*)                                  | EL-00136-02  | 1    |
| 1.12 | Cable Switch with Connectors (*)                      | EL-00136-07  | 1    |
| 2    | Air Cylinder for Timer & Auto Version                 | GU-02101-02  | 1    |
| 3    | Magnetic Switch Air Cylinder for Timer & Auto Version | GU-02101-03  | 1    |
| 4    | Knead Pneumatic Connection                            | RA-00088     | 3    |
| 5    | Ball Stop   | GU-02126     | 1    |
| 6    | Non-Return Ball                                       | TN-00228     | 1    |
| 7    | Non-Return Spring                                     | SP-00021     | 1    |

**N.B.:**

**Fit the right Air Cylinder for the standard version of the gun with Timer or for the gun with Timer and Switch.**

**(\*) Parts included in Item 1**

### ASSEMBLY FOR AUTO VERSION (OPTIONAL)

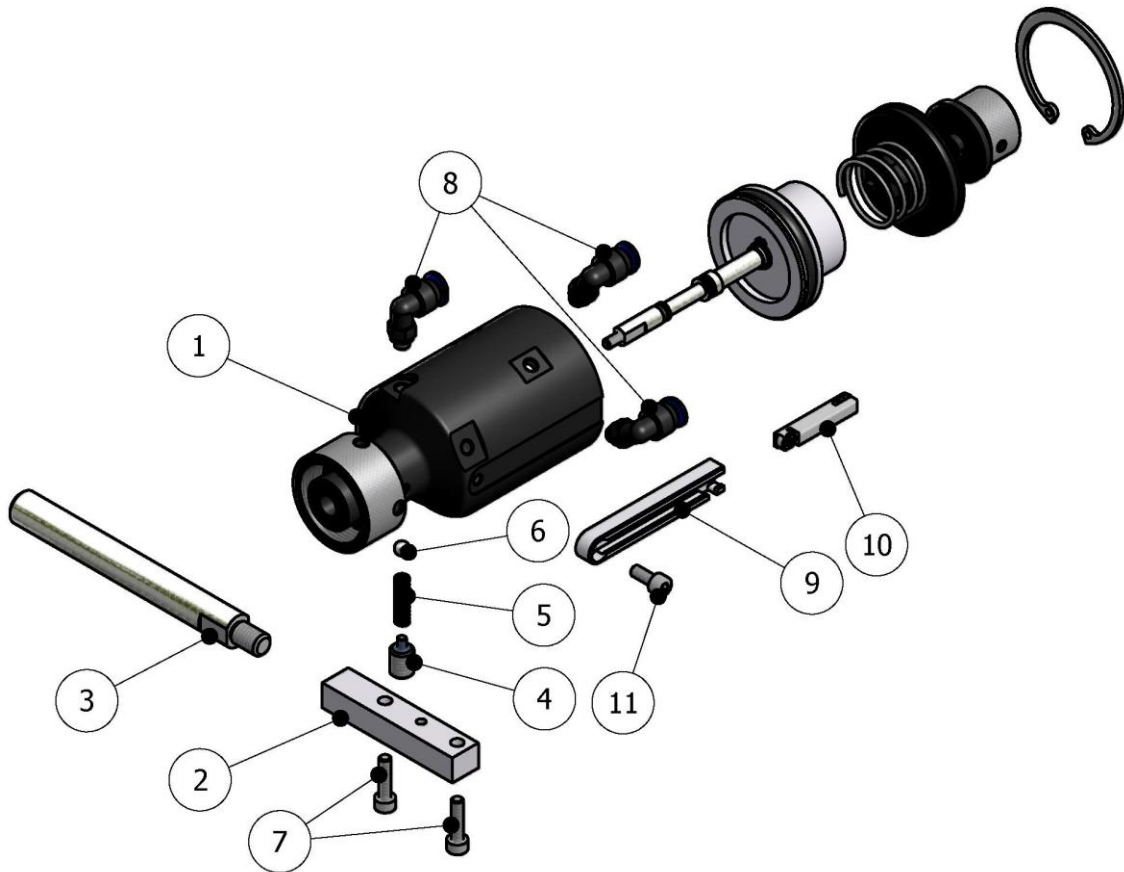


Figure 7. Assembly for Auto Version (OPTIONAL)





**Table 7. Assembly for Auto Version Parts List (OPTIONAL)**

| Item | Description  | Reference   | Qty. |
|------|--|-------------|------|
| 1    | Air Cylinder for Auto Version                      | GU-02101-03 | 1    |
| 2    | Auto Gun Support                                   | GU-02055    | 1    |
| 3    | Connecting Rod                                     | GU-02056    | 1    |
| 4    | Ball Stop  | GU-02126    | 1    |
| 5    | Non-Return Spring                                  | SP-00021    | 1    |
| 6    | Non-Return Ball                                    | TN-00228    | 1    |
| 7    | Allen Bolt   | TN-00001    | 2    |
| 8    | 90° Elbow Connector                                | RA-00088    | 3    |
| 9    | Magnetic Switch Bracket                            | GU-02051    | 1    |
| 10   | Magnetic Switch with cable 2.5m + Square Connector | EL-00136-04 | 1    |
| 11   | Allen Bolt   | TN-00002    | 1    |

## ROUND FAN ASSEMBLY

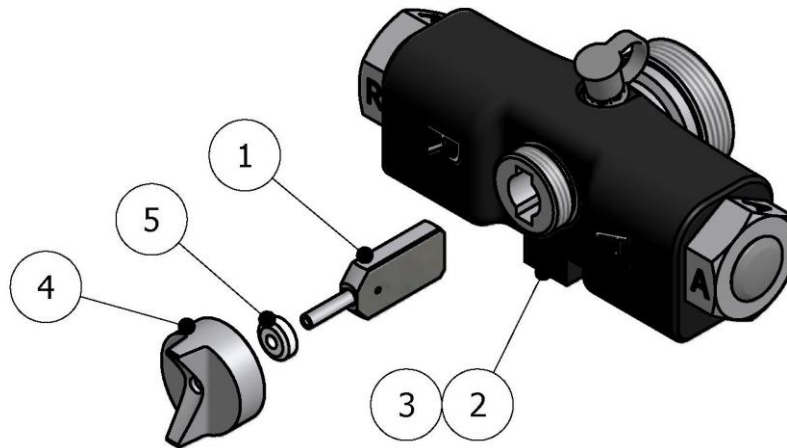


Figure 8. Round Fan Assembly

Table 8. Round Fan Assembly Parts List

| Item | Description                               | Reference   | Qty. |
|------|---|-------------|------|
| 1    | “Round” Mix Chamber Unit                  | See Table 9 | 1    |
| 2    | Mixing Block Unit (Standard)              | GU-02108-00 | 1    |
| 3    | Direct Input Mixing Block Unit (Optional) | GU-02128-00 | 1    |
| 4    | Diffuser                                  | See Table 9 | 1    |
| 5    | Chamber Seal                              | See Table 9 | 1    |

Table 9. List of Components depending on Round Chamber Production

| Production (Kg/min. ) | “Round” Mix Chamber Unit | Diffuser | Chamber Seal |
|-----------------------|--------------------------|----------|--------------|
| 1.3 – 2.7             | GU-02011-00              | GU-02104 | GU-02024 *   |
| 2.2 – 4               | GU-02012-00              | GU-02104 | GU-02024 *   |
| 4.5 – 9               | GU-02013-00              | GU-02104 | GU-02024 *   |
| 5.4 – 13.5            | GU-02014-00              | GU-02104 | GU-02024 *   |
| 9 - 20                | GU-02015-00              | GU-02105 | GU-02023 *   |
| 13.5 - 27             | GU-02016-00              | GU-02105 | GU-02023 *   |

\* Included in the Mix Chamber Unit

## FLAT FAN ASSEMBLY

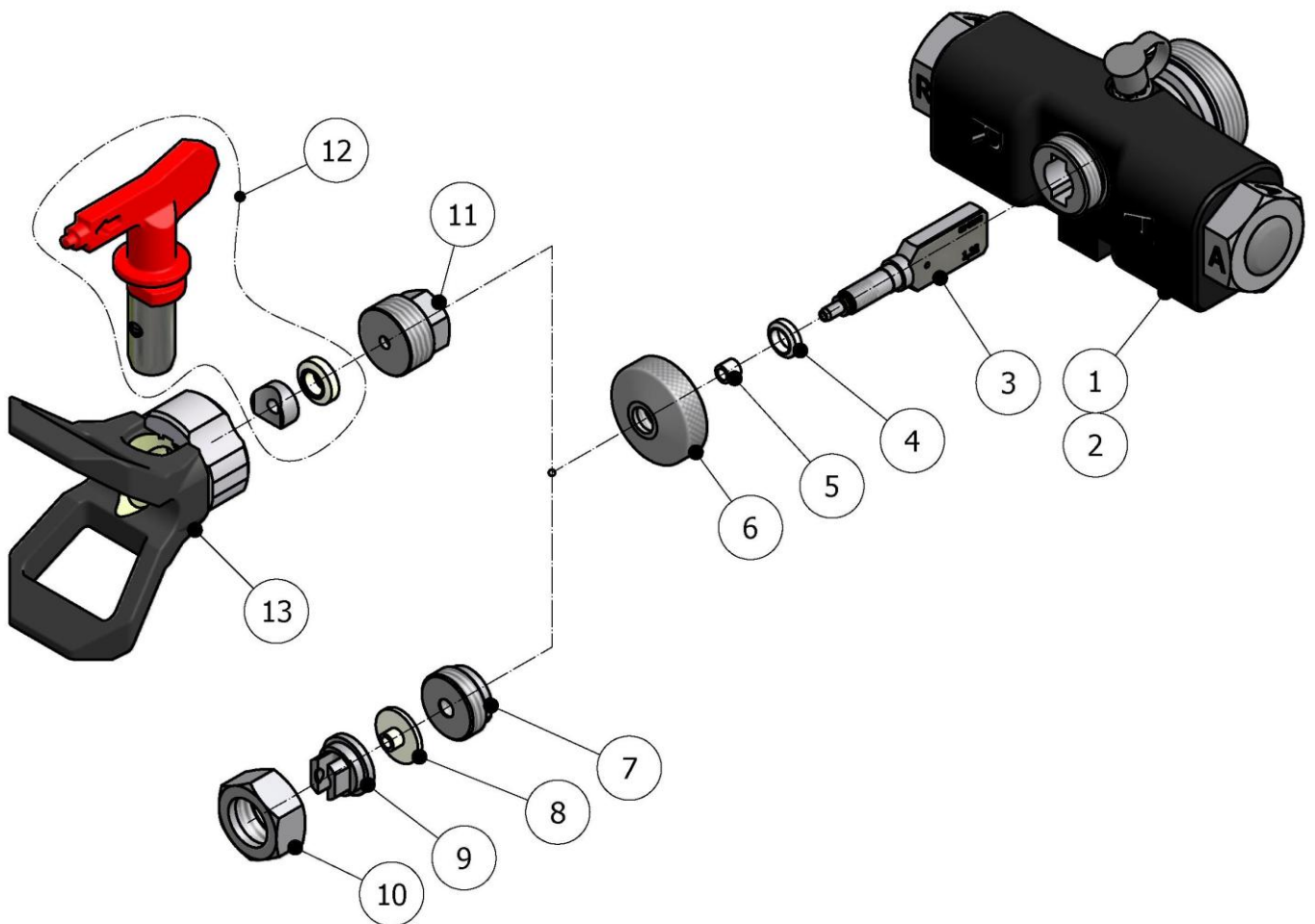


Figure 9. Flat Fan Assembly



**Table 10. Flat Fan Assembly Parts List**

| Item | Description                               | Reference                | Qty. |
|------|---|--------------------------|------|
| 1    | Mixing Block Unit (Standard)              | GU-02108-00              | 1    |
| 2    | Direct Input Mixing Block Unit (Optional) | GU-02128-00              | 1    |
| 3    | “Flat” Mix Chamber                        | See Table 11 & Table 12  | 1    |
| 4    | Chamber Seal                              | GU-02022 *               | 1    |
| 5    | Stem Adjustment Bushing                   | See Table 11 & Table 12* | 1    |
| 6    | Diffuser                                  | GU-02027                 | 1    |
| 7    | Standard TIP Seat                         | See Table 11             | 1    |
| 8    | TIP Seal                                  | See Table 11             | 1    |
| 9    | TIP                                       | See Table 15             | 1    |
| 10   | Retention Nut                             | GU-02042-01              | 1    |
| 11   | Reversible TIP Support Adapter (Optional) | See Table 12             | 1    |
| 12   | Reversible TIP (Optional)                 | See Table 16             | 1    |
| 13   | Reversible TIP Support (Optional)         | GU-05017                 | 1    |

*\* Included in the Mix Chamber Unit*

**Table 11. Parts List for Flat Chambers with Standard TIP, depending on Production**

| Production<br>(Kg/min. ) | Size | Item 3   | Item 5                        | Item 7      | Item 8      |
|--------------------------|------|----------|-------------------------------|-------------|-------------|
|                          |      | Chamber  | Stem<br>Adjustment<br>Bushing | TIP Seat    | TIP Seal    |
| 1,3 – 2,7                | 0    | GU-02071 | -                             | GU-02090-01 | GU-02041-01 |
| 2,2 – 4                  | 1    | GU-02072 | -                             | GU-02090-01 | GU-02041-01 |
| 4,5 – 9                  | 2    | GU-02073 | -                             | GU-02090-01 | GU-02041-01 |
| 5,5-13,5                 | 3    | GU-02074 | -                             | GU-02090-01 | GU-02041-01 |
| 9-20                     | 4    | GU-02075 | GU-02053                      | GU-02090-02 | -           |
| 13,5-27                  | 5    | GU-02076 | GU-02053                      | GU-02090-02 | -           |



**Table 12. Parts List for Flat Chambers with Reversible TIP, depending on Production**

| <b>Reversible TIP (OPTIONAL)</b> |             |                |  |  |
|----------------------------------|-------------|----------------|--|--|
| <b>Production<br/>(Kg/min. )</b> | <b>Size</b> | <b>Item 3</b>  | <b>Item 5</b>                          | <b>Item 11</b>   |
|                                  |             | <b>Chamber</b> | <b>Stem<br/>Adjustment<br/>Bushing</b> | <b>Reversible TIP<br/>Support<br/>Adapter<br/>(OPTIONAL)</b> |
| 4.5 – 9                          | 2           | GU-02073       | GU-02048                               | GU-02043-01  |

### STATIC MIXER ASSEMBLY (OPTIONAL)

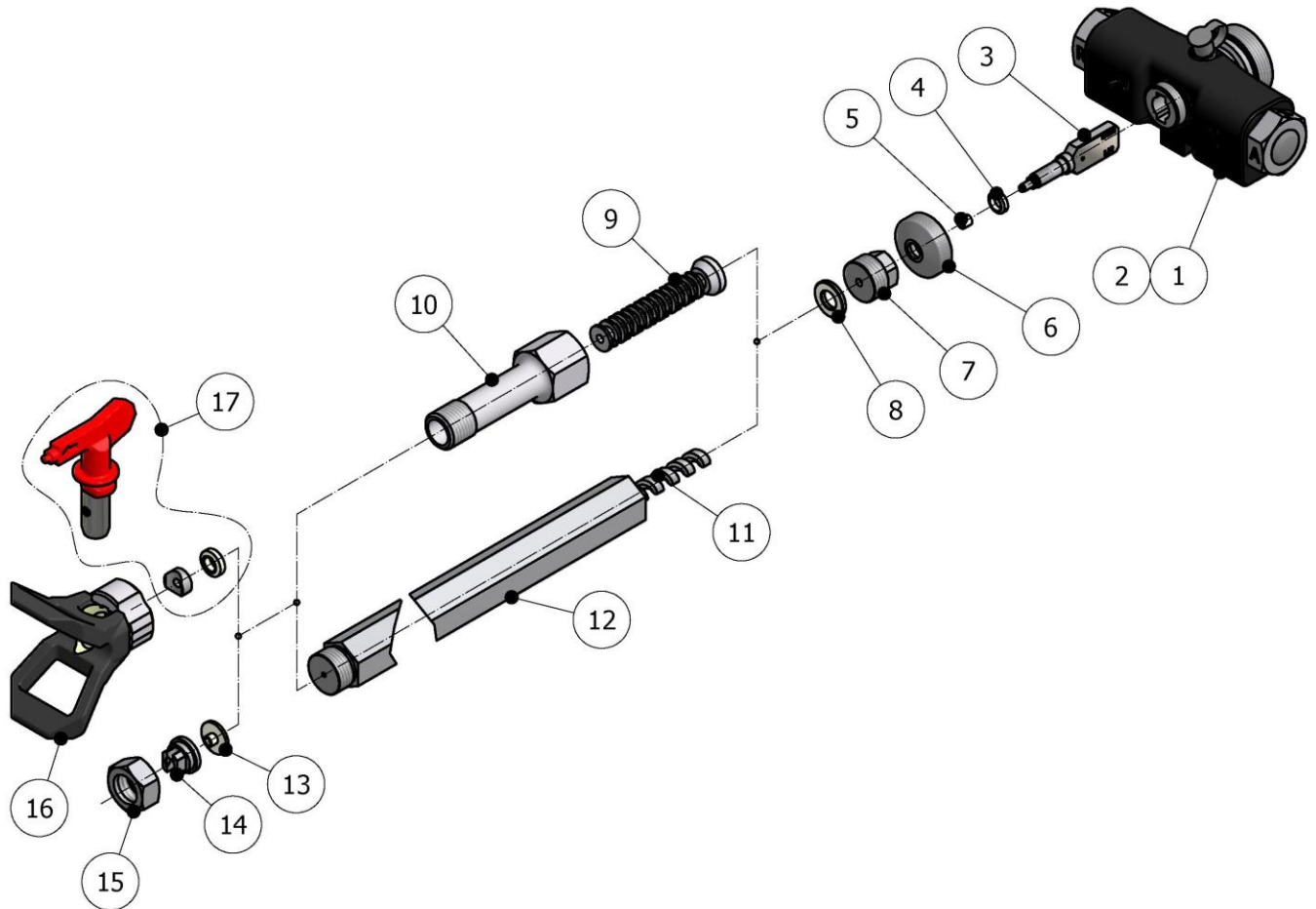


Figure 10. Static Mixer Assembly (OPTIONAL)



**Parts Manual**

**Table 13. Static Mixer Assembly Parts List (OPTIONAL)**

| Item | Description                               | Reference      | Qty. |
|------|---|----------------|------|
| 1    | Mixing Block Unit (Standard)              | GU-02108-00    | 1    |
| 2    | Direct Input Mixing Block Unit (Optional) | GU-02128-00    | 1    |
| 3    | “Flat” Chamber                            | See Table 14   | 1    |
| 4    | Chamber Seal                              | GU-02022 *     | 1    |
| 5    | Stem Adjustment Bushing                   | See Table 14 * | 1    |
| 6    | Diffuser                                  | GU-02027       | 1    |
| 7    | Static Mixer Adapter                      | See Table 14   | 1    |
| 8    | Seal                                      | GU-05019       | 1    |
| 9    | Labyrinth Type Mixer                      | See Table 18   | -    |
| 10   | Mixer Sleeve                              | See Table 18   | -    |
| 11   | Mixer                                     | See Table 17   | 1    |
| 12   | Mixer Sleeve                              | See Table 17   | 1    |
| 13   | TIP Seal                                  | GU-02041-01    | 1    |
| 14   | TIP                                       | See Table 15   | 1    |
| 15   | Retention Nut                             | GU-02042-01    | 1    |
| 16   | Reversible TIP Support (Optional)         | GU-05017       | 1    |
| 17   | Reversible TIP (Optional)                 | See Table 16   | 1    |

*\* Included in the Mix Chamber Unit*

**Table 14. Static Mixer Parts List, depending on Production.**

| Production<br>(Kg/min. ) | Size | Item 3         | Item 5                        | Item 7                  |
|--------------------------|------|----------------|-------------------------------|-------------------------|
|                          |      | “Flat” Chamber | Stem<br>Adjustment<br>Bushing | Static Mixer<br>Adapter |
| 1,3 – 2,7                | 0    | GU-02071       | GU-02048                      | GU-02043-01             |
| 2,2 – 4                  | 1    | GU-02072       | GU-02048                      | GU-02043-01             |
| 4,5 – 9                  | 2    | GU-02073       | GU-02048                      | GU-02043-01             |
| 5,5-13,5                 | 3    | GU-02074       | GU-02048                      | GU-02043-01             |
| 9-20                     | 4    | GU-02075       | GU-02053                      | GU-02054-01             |
| 13,5-27                  | 5    | GU-02076       | GU-02053                      | GU-02054-01             |



**Table 15. List of Standard TIP Sizes**

| Standard TIP  | Orifice Size mm | Pattern Width cm (*) |
|---------------|-----------------|----------------------|
| GU-02045-1910 | 0.48            | 10                   |
| GU-02045-1915 | 0.48            | 15                   |
| GU-02045-1920 | 0.48            | 20                   |
| GU-02045-1930 | 0.48            | 30                   |
| GU-02045-1935 | 0.48            | 35                   |
| GU-02045-1940 | 0.48            | 40                   |
| GU-02045-1945 | 0.48            | 45                   |
| GU-02045-2310 | 0.58            | 10                   |
| GU-02045-2315 | 0.58            | 15                   |
| GU-02045-2320 | 0.58            | 20                   |
| GU-02045-2325 | 0.58            | 25                   |
| GU-02045-2330 | 0.58            | 30                   |
| GU-02045-2335 | 0.58            | 35                   |
| GU-02045-2340 | 0.58            | 40                   |
| GU-02045-2720 | 0.69            | 20                   |
| GU-02045-2725 | 0.69            | 25                   |
| GU-02045-2730 | 0.69            | 30                   |

**Table 16. Reversible TIP Sizes**

| Reversible TIP | Orifice Size mm | Pattern Width cm (*) |
|----------------|-----------------|----------------------|
| GU-05016-2310  | 0.58            | 10                   |
| GU-05016-2320  | 0.58            | 20                   |
| GU-05016-2340  | 0.58            | 40                   |
| GU-05016-2720  | 0.69            | 20                   |
| GU-05016-2730  | 0.69            | 30                   |
| GU-05016-3520  | 0.90            | 20                   |
| GU-05016-3530  | 0.90            | 30                   |
| GU-05016-3540  | 0.90            | 40                   |

*(\*) Values obtained with water at 130 bar pressure and 30 cm from the surface to be projected.*

*Consult the Marketing department for delivery times for these elements.*





**Table 17. List of Standard Mixer and Standard Mixer Sleeve depending on Length**

| Standard Mixer Sleeve | Standard Mixer | Mixer Length mm. |
|-----------------------|----------------|------------------|
| GU-02046-25           | GU-02047-25    | 25               |
| GU-02046-50           | GU-02047-50    | 50               |
| GU-02046-100          | GU-02047-100   | 100              |
| GU-02046-150          | GU-02047-150   | 150              |
| GU-02046-200          | GU-02047-200   | 200              |
| GU-02046-300          | GU-02047-300   | 300              |
| GU-02046-400          | GU-02047-400   | 400              |
| GU-02046-500          | GU-02047-500   | 500              |

**Table 18. List of Labyrinth Mixer and Labyrinth Mixer Sleeve depending on Length**

| Length | Static Chamber<br>GU-04045 | Labyrinth Mixing<br>Element<br>GU-04046 | Seal<br>GU-05019 |
|--------|----------------------------|---|------------------|
| 65     | 1x                         | 1x                                      | 1x               |
| 130    | 2x                         | 2x                                      | 2x               |
| 195    | 3x                         | 3x                                      | 3x               |
| 260    | 4x                         | 4x                                      | 4x               |

**Table 19. List of Cleaning Drills**

| Size | Round Chamber | Flat Chamber | Outlet Drill mm | Reference | Inlets Drill mm | Reference |
|------|---------------|--------------|-----------------|-----------|-----------------|-----------|
| 0    | GU-02011-00   | GU-02071     | 1.30            | HT-00062  | 0.90            | HT-00063  |
| 1    | GU-02012-00   | GU-02072     | 1.55            | HT-00064  | 1.05            | HT-00065  |
| 2    | GU-02013-00   | GU-02073     | 1.75            | HT-00029  | 1.30            | HT-00062  |
| 3    | GU-02014-00   | GU-02074     | 2.25            | HT-00030  | 1.55            | HT-00064  |
| 4    | GU-02015-00   | GU-02075     | 2.50            | HT-00013  | 1.80            | HT-00014  |
| 5    | GU-02016-00   | GU-02076     | 3.10            | HT-00012  | 2.25            | HT-00030  |

## ASSEMBLY POUR ADAPTER (OPTIONAL)

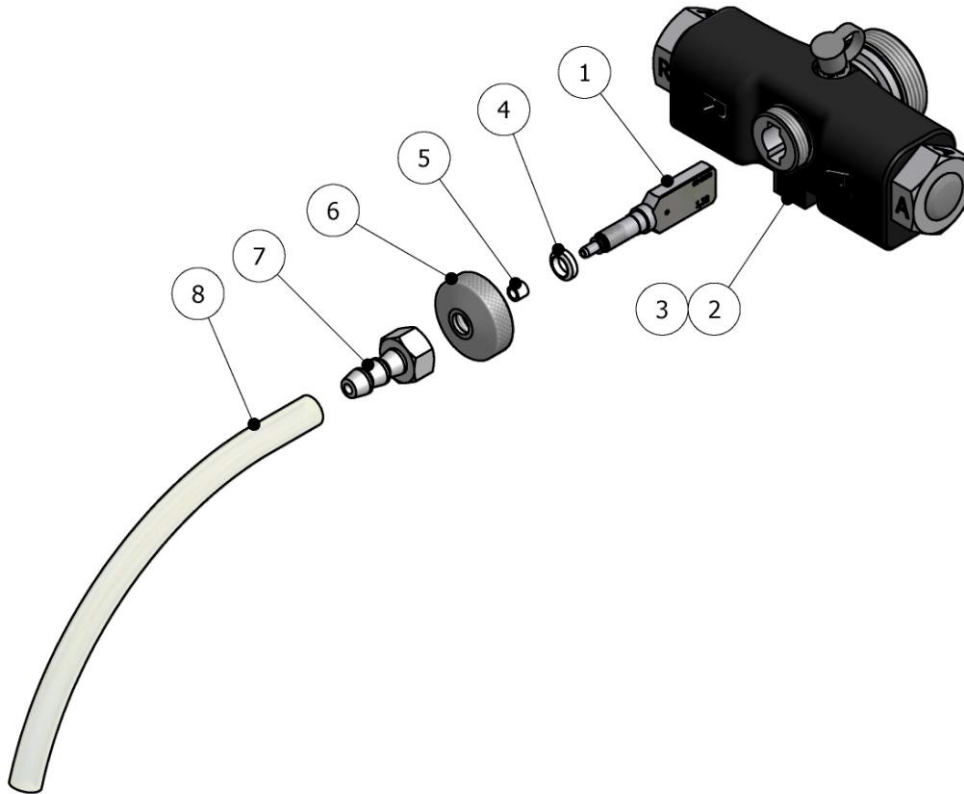


Figure 11. Assembly Pour Adapter (OPTIONAL)

Table 20. Assembly Pour Adapter Parts List (OPTIONAL)

| Item | Description                               | Reference      | Qty. |
|------|---|----------------|------|
| 1    | "Flat" Chamber                            | See Table 14   | 1    |
| 2    | Mixing Block Unit (Standard)              | GU-02108-00    | 1    |
| 3    | Direct Input Mixing Block Unit (Optional) | GU-02128-00    | 1    |
| 4    | Chamber Seal                              | GU-02022 *     | 1    |
| 5    | Stem Adjustment Bushing                   | See Table 14 * | 1    |
| 6    | Diffuser                                  | GU-02027       | 1    |
| 7    | Pouring Hose Adapter                      | GU-02094-01    | 1    |
| 8    | Hose interior dia. 1/4"                   | NE-00043-SIZE  | 1    |

\* Included in the Mix Chamber Unit.

The "SIZE" nomenclature of Item 8 defines the required hose length.

## RECIRCULATION KIT (OPTIONAL)



**Figure 12. Recirculation Kit (OPTIONAL)**  
**# KT-00059-3**



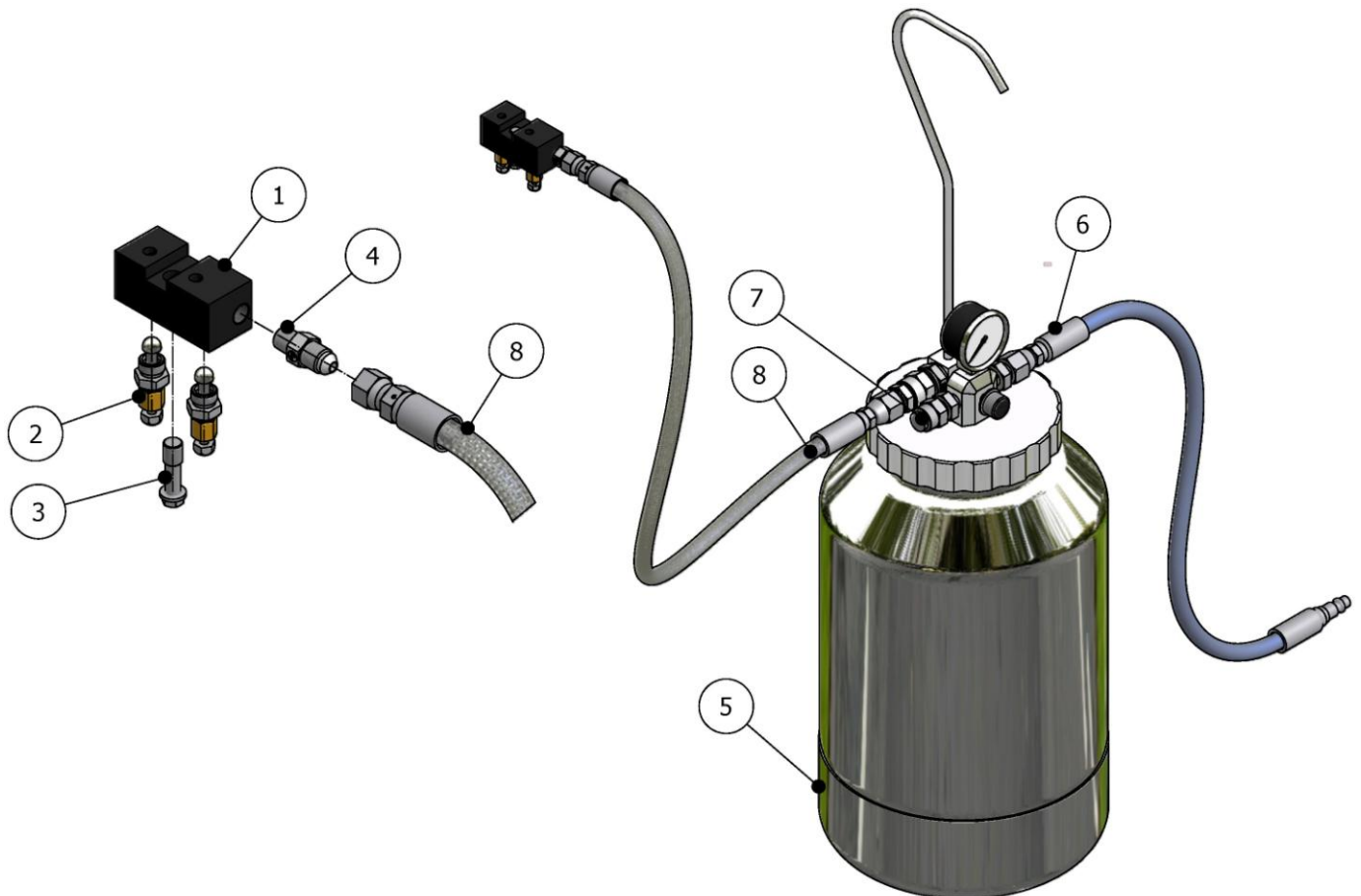
**Table 21. (OPTIONAL) Recirculation Kit, Parts List  
# KT-00059-3**

| Item | Description                      | Reference | Qty. |
|------|----------------------------------|-----------|------|
| 1    | Male Adapter                     | RA-00108  | 2    |
| 2    | "T" Connector                    | RA-00234  | 2    |
| 3    | Pillar                           | RA-00144  | 1    |
| 4    | Pillar                           | RA-00145  | 1    |
| 5    | Stop Cock                        | RA-00217  | 2    |
| 6    | Straight Connector               | RA-00218  | 2    |
| 7    | Bent Pipe                        | MQ-06016  | 2    |
| 8    | ISO Feed Flexo 10000 mm          | MA-00060  | 1    |
| 9    | POL Feed Flexo 10000 mm          | MA-00059  | 1    |
| 10   | ISO Recirculation Flexo 11000 mm | MA-00061  | 1    |
| 11   | POL Recirculation Flexo 11000 mm | MA-00062  | 1    |

**IMPORTANT NOTE:**

*Consult prices and delivery times with the Marketing Department for all OPTIONAL assemblies, and for the Standard TIP, Reversible TIP and special chamber elements (to order).*

## CLEANLINESS KIT (OPTIONAL)



**Figure 13. Cleanliness Kit, Parts List (OPTIONAL)**  
**# KT-00072**



**Table 22. Cleanliness Kit, Parts List (OPTIONAL)  
# KT-00072**

| Item. | Description                         | Reference   | Qty. |
|-------|-------------------------------------|-------------|------|
| 1     | Gun Adapter                         | GU-02138-00 | 1    |
| 2     | Manual Valve Unit                   | GU-02020-00 | 2    |
| 3     | Input Block Screw                   | GU-04036    | 1    |
| 4     | Male Adapter                        | RA-00108    | 1    |
| 5     | 2 Lts. Pressurized tank (Standard)  | BI-00007-2  | 1    |
|       | 10 Lts. Pressurized tank (Optional) | BI-00007-10 | 1    |
| 6     | 0.5 mts Air Hose                    | MA-00097    | 1    |
| 7     | Plug                                | RA-00328    | 1    |
| 8     | 10 mts. Cleanliness Hose            | MA-00063    | 1    |

**N.B.:**

**Consult the Marketing department for delivery times for these elements.**



## CONTENTS

|  |    |
|--|----|
| Warranty                               | 2  |
| Standard Final Assembly                | 3  |
| Ball Valve Final Assembly (OPTIONAL)   | 5  |
| Direct Input Final Assembly (OPTIONAL) | 7  |
| Air Cylinder and Grip Assembly         | 9  |
| Magnetic Switch Assembly (OPTIONAL)    | 12 |
| Assembly for Timer (OPTIONAL)          | 14 |
| Assembly for Auto Version (OPTIONAL)   | 16 |
| Round Fan Assembly                     | 18 |
| Flat Fan Assembly                      | 19 |
| Static Mixer Assembly (OPTIONAL)       | 22 |
| Assembly Pour Adapter (OPTIONAL)       | 26 |
| Recirculation Kit (OPTIONAL)           | 27 |
| Cleanliness Kit (OPTIONAL)             | 29 |
| Contents                               | 31 |
| List of Figures                        | 31 |

## LIST OF FIGURES

|   |    |
|---|----|
| Figure 1. Standard Final Assembly, Master II Gun  | 3  |
| Figure 2. Ball Valve Final Assembly (OPTIONAL)    | 5  |
| Figure 3. Direct Input Final Assembly (OPTIONAL)  | 7  |
| Figure 4. Air Cylinder and Grip Assembly          | 9  |
| Figure 5. Magnetic Switch Assembly (OPTIONAL)     | 12 |
| Figure 6. Assembly for Timer (OPTIONAL)           | 14 |
| Figure 7. Assembly for Auto Version (OPTIONAL)    | 16 |
| Figure 8. Round Fan Assembly                      | 18 |
| Figure 9. Flat Fan Assembly                       | 19 |
| Figure 10. Static Mixer Assembly (OPTIONAL)       | 22 |
| Figure 11. Assembly Pour Adapter (OPTIONAL)       | 26 |
| Figure 12. Recirculation Kit (OPTIONAL)           | 27 |
| Figure 13. Cleanliness Kit, Parts List (OPTIONAL) | 29 |