

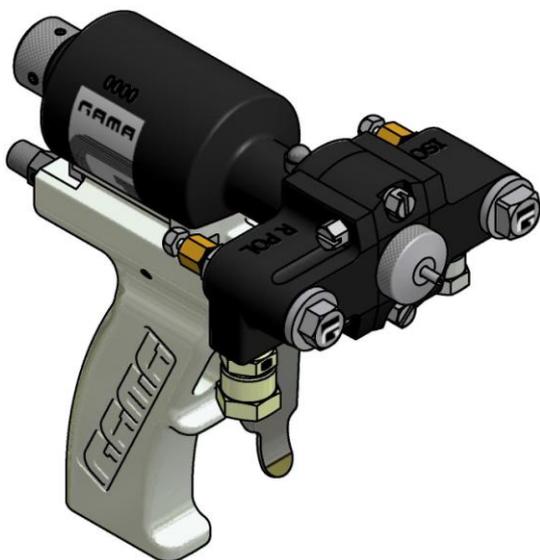


Parts Manual

Spray Gun

Series Master

Issue 3.9 10/30/2012
Ref. NR-00004-ENG



Before starting or carrying out maintenance work on the MASTER gun, please carefully read all the technical and safety documentation included in the Manual Service. It is important to pay special attention to the information contained to see and understand the handling and conditions of use of the gun. This information is aimed at USER SAFETY and the PREVENTION OF PROBLEMS.



WARRANTY

GARRAF MAQUINARIA, S. A. (hereinafter "GAMA") provides this **LIMITED WARRANTY** (hereinafter "Warranty") to the original purchaser (hereinafter "Customer") covering this equipment and the original GAMA manufactured accessories delivered with the equipment (hereinafter "Product") against defects in material or workmanship of the Product (hereinafter "Defect" or "Defective") for a period of two (2) years from the date of first purchase as shown on the original GAMA invoice (hereinafter "Warranty Period").

If during the Warranty Period under normal use, the Product is suspected by Customer to be Defective in material or workmanship, it is Customer's responsibility to contact GAMA and return the Product to GAMA as directed by GAMA, freight prepaid. If GAMA determines that the Product is Defective and that such Defect is covered by this Warranty, GAMA will credit Customer for the reasonable freight charges incurred by Customer in returning the Defective Product to GAMA, and GAMA (or its authorized agent) will, at GAMA's option, repair or replace the Product, subject to the following:

Original Invoice: The original invoice must be kept as proof of the date of first sale and the Product serial number. The Warranty does not cover any Product if the Original Invoice appears to have been modified or altered, or when the serial number on the Product appears to have been altered or defaced.

Product Maintenance: It is the Customer's responsibility to maintain the Product properly. See your maintenance schedule and owner's manual for details. The Warranty does not cover an improperly maintained Product.

Non-GAMA Components and Accessories: Non-GAMA manufactured components and accessories that are used in the operation of the Product are not covered by this Warranty. Such components and accessories shall be subject to the warranty offered to the Customer, if any, by the original manufacturer of such component or accessory.

Other Warranty Exclusions: The Warranty does not cover any Product that GAMA determines has been damaged or fails to operate properly due to misuse, negligence, abuse, carelessness, neglect, or accident. By way of example only, this includes:

- Normal wear and tear.
- Improper or unauthorized installation, repair, alteration, adjustment or modification of the Product.
- Use of heating devices, pumping equipment, dispensers, or other parts or accessories with the Product that have not been approved or manufactured by GAMA.
- Failure to follow the operating instructions and recommendations provided by GAMA.
- Cosmetic damage.
- Fire, flood, "acts of God," or other contingencies beyond the control of GAMA.

THE WARRANTY DESCRIBED HEREIN IS THE EXCLUSIVE REMEDY FOR THE CUSTOMER AND IS IN LIEU OF ALL OTHER WARRANTIES, EXPRESS, IMPLIED, STATUTORY OR OTHERWISE, AND THE IMPLIED WARRANTIES OF MERCHANTABILITY AND FITNESS FOR A PARTICULAR PURPOSE AND ALL OTHER WARRANTIES ARE HEREBY DISCLAIMED. TO THE FULLEST EXTENT PERMITTED BY LAW, GAMA SHALL NOT BE RESPONSIBLE, WHETHER BASED IN CONTRACT, TORT (INCLUDING, WITHOUT LIMITATION, NEGLIGENCE), WARRANTY OR ANY OTHER LEGAL OR EQUITABLE GROUNDS, FOR ANY CONSEQUENTIAL, INDIRECT, INCIDENTAL, LOST PROFITS, SPECIAL, PUNITIVE OR EXEMPLARY DAMAGES, WHETHER TO PERSON OR PROPERTY, ARISING FROM OR RELATING TO THE PRODUCT, EVEN IF GAMA HAS BEEN ADVISED OF THE POSSIBILITY OF SUCH LOSSES OR DAMAGES.

Non-Warranty Service by GAMA: If GAMA determines that the suspected Defect of the Product is not covered by this Warranty, disposition of the Product will be made pursuant to the terms and conditions of GAMA's written estimate on a time and materials basis.

Continuing Warranty for Products Repaired or Replaced under Warranty: Following the repair or replacement of a Product covered by this Warranty, such Product will continue to be subject to the original Warranty for the remainder of original Warranty Period or for three (3) months from the repair or replacement date, whichever is longer.

No Rights Implied: Nothing in the sale, lease or rental of any Product by GAMA shall be construed to grant any right, interest or license in or under any patent, trademark, copyright, trade secret or other proprietary right or material owned by anyone; nor does GAMA encourage the infringement of same.

Exclusive Warranty: This writing is the final, complete, and exclusive expression of the Warranty covering the Product. Any statements made by GAMA, its employees or agents that differ from the terms of this Warranty shall have no effect. It is expressly understood that Customer's acceptance of this Warranty, by performance or otherwise, is upon and subject solely to the terms and conditions hereof, and any additional or different terms and conditions proposed or expressed by Customer or anyone, whether in writing or otherwise, are null and void unless specifically agreed to in writing by an Officer of GAMA.



STANDARD FINAL ASSEMBLY

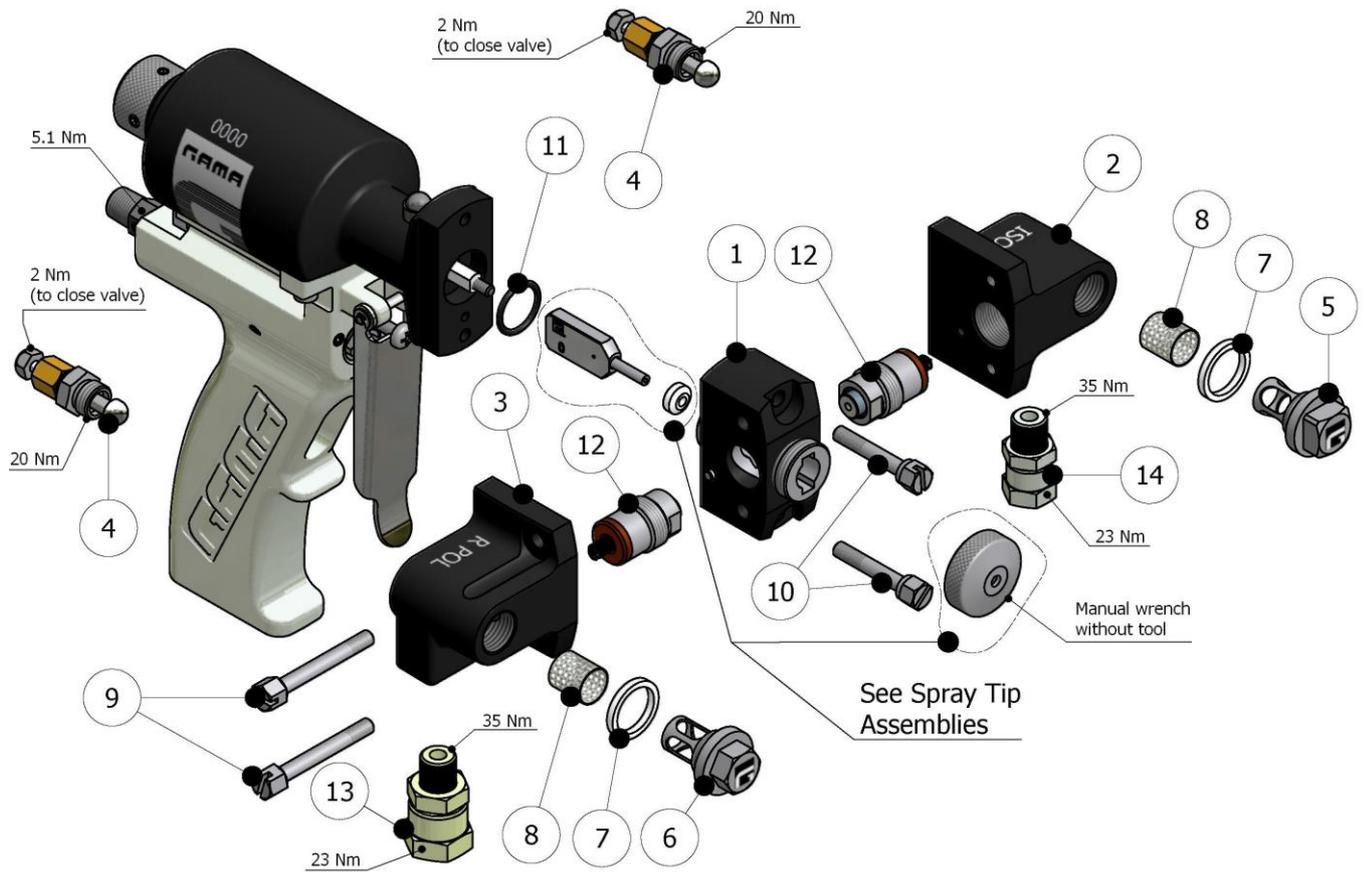


Figure 1. Standard Final Assembly, Exploded View



Table 1. Standard Final Assembly, Parts List

Item	Description	Part Number	Qty.
1	Gun Block	GU-02004-00	1
2	A-Side Block	GU-02005-00	1
3	R-Side Block	GU-02006-00	1
4	Manual Valve Assembly	GU-02020-00	2
5	A-Screen Screw	GU-02017	1
6	R-Screen Screw	GU-02018	1
7	Screen Screw Seal	GU-02019	2
8	Screen-40 Mesh	GU-02063-40	2
	Screen-60 Mesh (Optional)	GU-02063-60	2
	Screen-80 Mesh (Optional)	GU-02063-80	2
9	Side Block Bolt	GU-02025	2
10	Gun Block Bolt	GU-02026	2
11	O-ring	OR-00025	1
12	Metallic Seal Kit for Chamber Size 0, 1, 2 & 3	GU-02031-05	2
	Metallic Seal Kit for Chamber Size 4 & 5	GU-02031-04	2
	Plastic Seal Kit	GU-02030-00	2
13	R-Swivel Fitting	RA-00006	1
14	A-Swivel Fitting	RA-00005	1

(OPTIONAL) FINAL ASSEMBLY

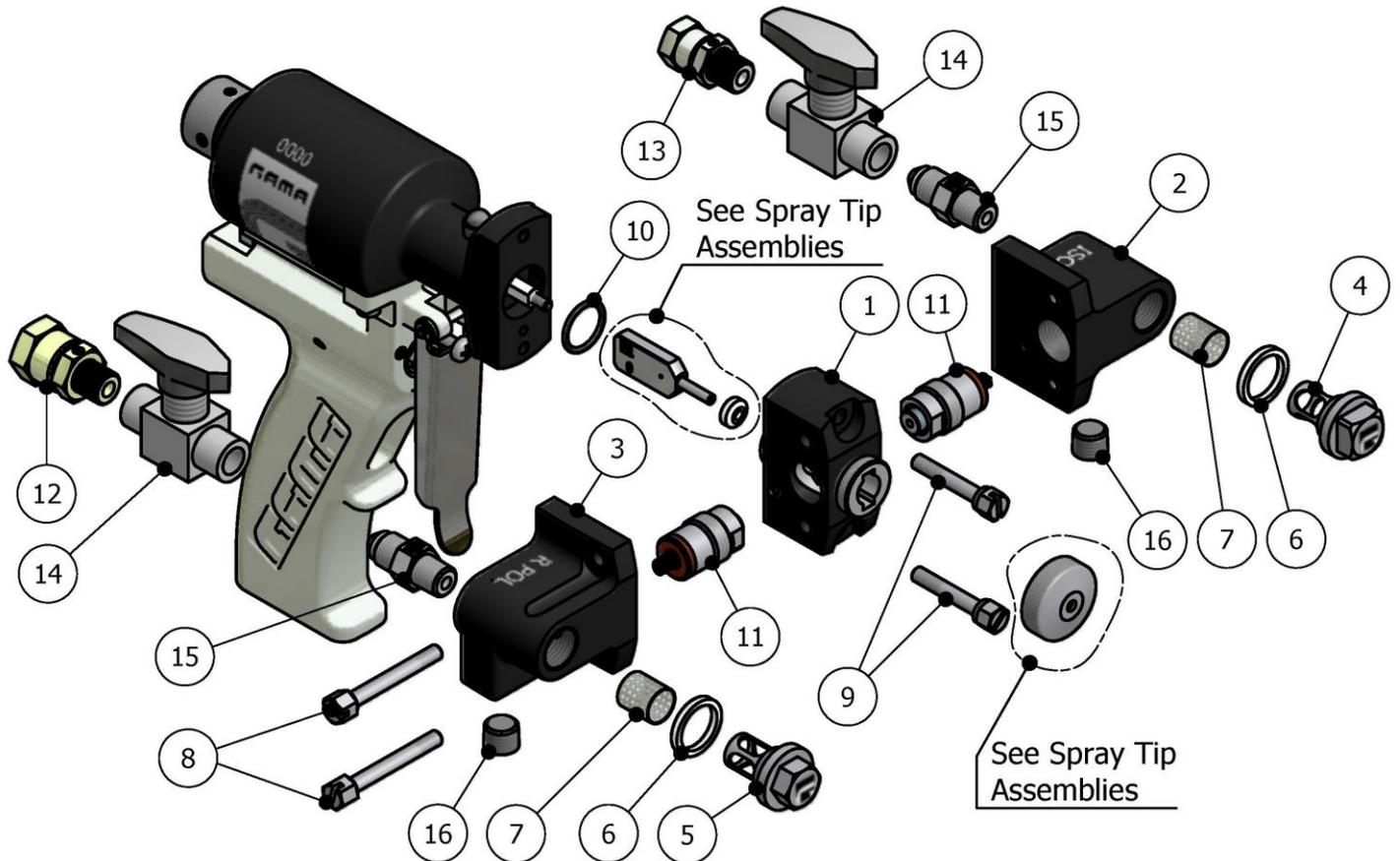


Figure 2. (OPTIONAL) Final Assembly, Exploded View



Table 2. Standard Final Assembly, Parts List

Item	Description	Part Number	Qty.
1	Gun Block	GU-02004-00	1
2	A-Side Block	GU-02005-00	1
3	R-Side Block	GU-02006-00	1
4	A-Screen Screw	GU-02017	1
5	R-Screen Screw	GU-02018	1
6	Screen Screw Seal	GU-02019	2
7	Screen-40 Mesh	GU-02063-40	2
	Screen-60 Mesh (Optional)	GU-02063-60	2
	Screen-80 Mesh (Optional)	GU-02063-80	2
8	Side Block Bolt	GU-02025	2
9	Gun Block Bolt	GU-02026	2
10	O-ring	OR-00025	1
11	Metallic Seal Kit for Chamber Size 0, 1, 2 & 3	GU-02031-05	2
	Metallic Seal Kit for Chamber Size 4 & 5	GU-02031-04	2
	Plastic Seal Kit	GU-02030-00	2
12	R-Swivel Fitting	RA-00006	1
13	A-Swivel Fitting	RA-00005	1
14	Ball Valve (standard)	RA-00070	2
	Ball Valve (High pressure) (*)	RA-00070H	2
15	Adapter	RA-00108	2
16	Pipe plug	RA-00004	2

Note:

(*) Only for high pressure, combined with the Metallic Side Seal Ref. GU-02031-03.

PLASTIC SEAL KIT

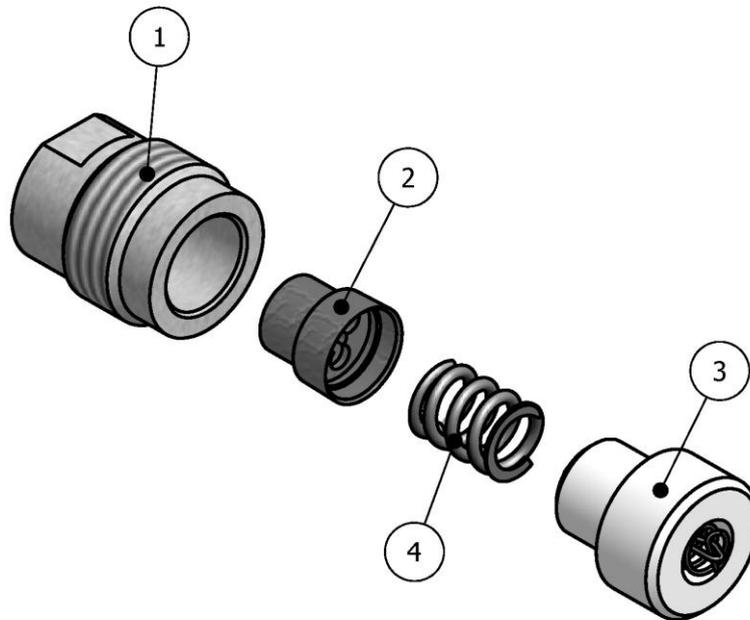


Figure 3. Plastic Seal Kit, Part Number GU-02030-00

Table 3. Plastic Seal Kit, Parts

Item	Description	Part Number	Qty.
1	Seal Assembly Insert	GU-02030-01	1
2	Side Seal	GU-02030-02	1
3	Check Valve Assembly	GU-02032-00	1
4	Spring	SP-00004	1

METALLIC SEAL KIT

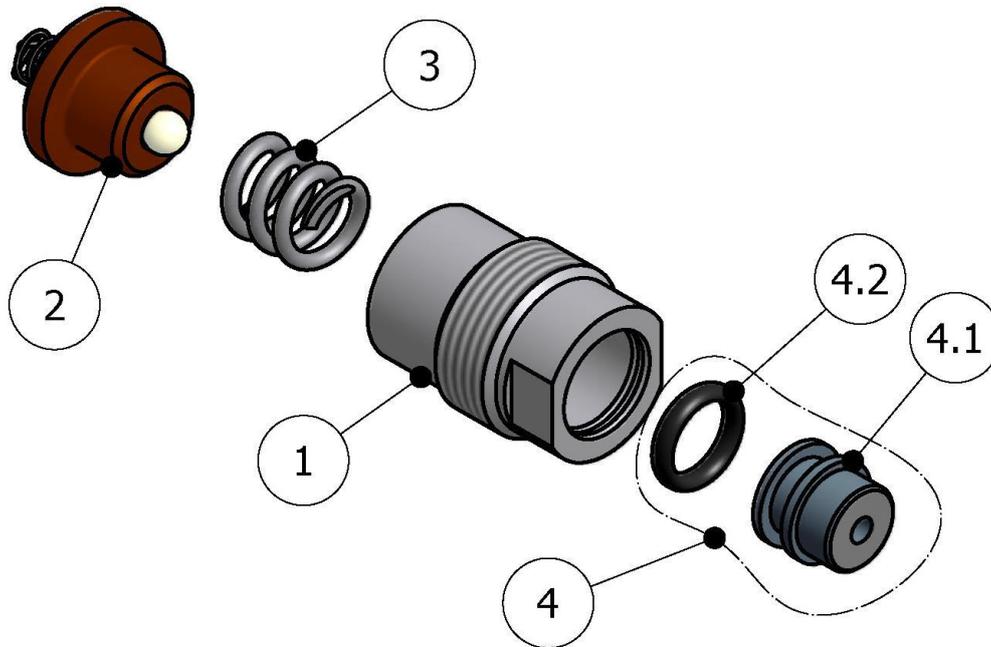


Figure 4. Metallic Seal Kit, Part Number GU-02031-04/05

Table 4. Metallic Seal Kit, Parts

Item	Description	Part Number	Qty.
1	Seal body	GU-02031-01	1
2	Check Valve Assembly	GU-02033-00	1
3	Spring	SP-00005	1
4	Side Seal with O-Ring for Chamber Size 0, 1, 2 & 3	GU-02031	1
	Side Seal with O-Ring for Chamber Size 4 & 5	GU-02049	1
4.1	Side Seal for Chamber Size 0, 1, 2 & 3	GU-02031-03	1
	Side Seal for Chamber Size 4 & 5	GU-02049-02	1
4.2	O-ring (Included in Item 4)	OR-00024	1

HANDLE ASSEMBLY

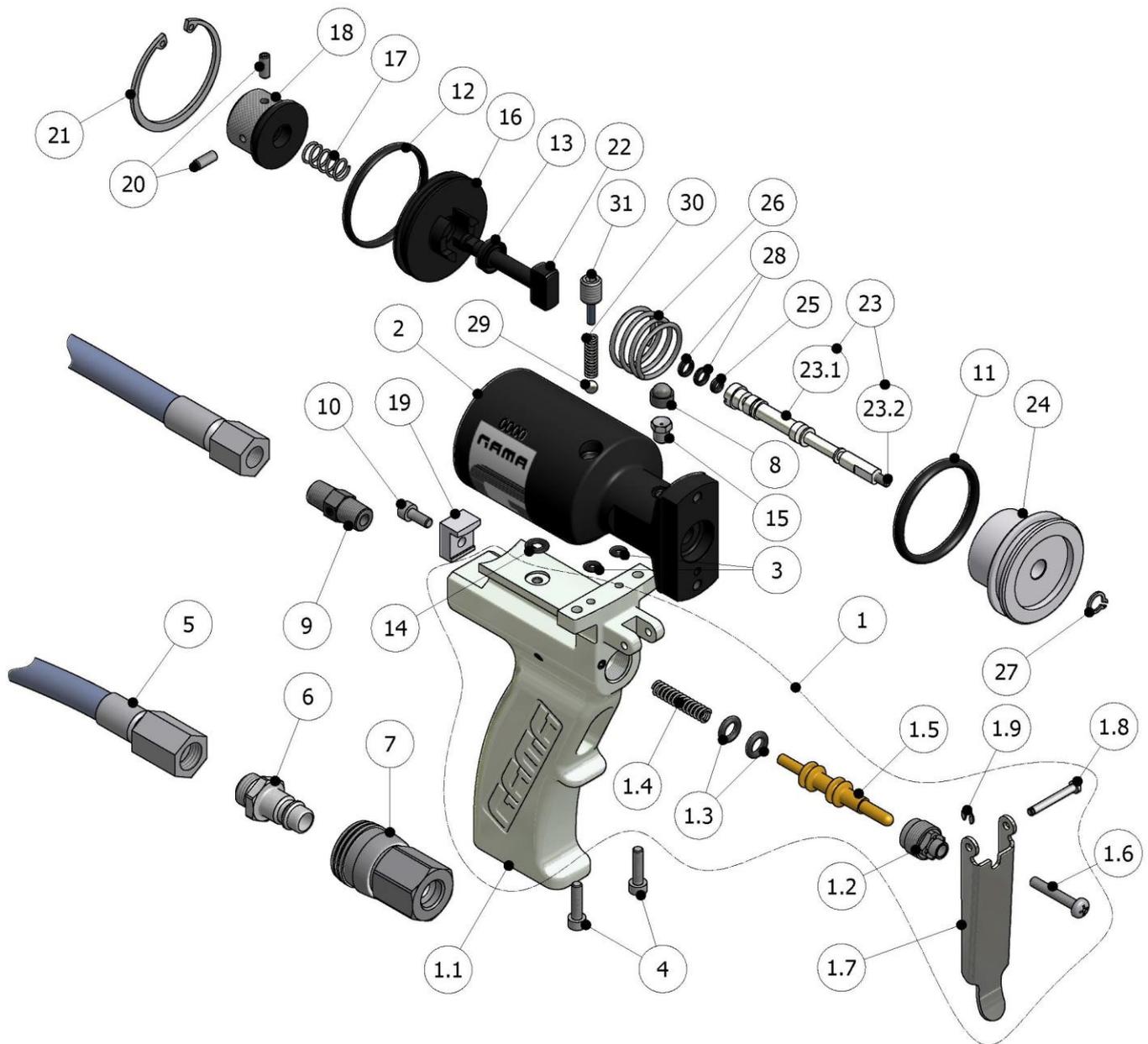


Figure 5. Handle Assembly, Exploded View



Table 5. Handle Assembly, Parts

Item	Description	Part Number	Qty.
1	Handle Assy with Trigger	GU-02129-02	1
1.1	Handle with Plugs (*)	GU-02129-01	1
1.1A	Handle Mechanized and Polished without Plugs (°)	GU-02129-00	1
1.1B	Plugs (°)	TN-00246	6
1.2	Trigger Valve Nut (*)	GU-02131	1
1.3	O-Ring (*)	OR-00079	2
1.4	Trigger Spring (*)	SP-00022	1
1.5	Trigger Shaft (*)	GU-02130	1
1.6	Trigger Stop Bolt (*)	TN-00235	1
1.7	Trigger (*)	GU-02132	1
1.8	Trigger Pin (*)	GU-01035	1
1.9	Retention Washer (*)	TN-00006	1
2	Air Cylinder	GU-02002	1
3	O-Ring	OR-00002	2
4	Socket Head Cap Screw	TN-00049	2
5	Hose Air Supply	MA-00027	1
6	Air Connector	RA-00110	1
7	Quick Connect Air Supply	RA-00109	1
8	Plug Grease Fitting	RA-00125	4
9	Hex. Nipple	RA-00112	1
10	Socket Head Cap Screw	TN-00002	1
11	O-Ring	OR-00029	1
12	O-Ring	OR-00026	1
13	Collar	OR-00027	1
14	O-Ring	OR-00024	1
15	Grase Fitting	TN-00292	1
16	End-Cap	GU-02003	1
17	Stop Spring	SP-00008	1
18	Stop Knob	GU-02007	1
19	Cylinder Clamp	GU-02021	1



Parts Manual

item.	Description	Part Number	Qty.
20	Screw	TN-00099	2
21	Retainer Ring	TN-00092	1
22	Stop Spin	GU-02008	1
23	Piston Shaft Assembly (@)	GU-02010-00	1
23.1	Piston Shaft	GU-02010-01	1
23.2	Screw	TN-00010	1
24	Piston	GU-02009	1
25	O-Ring	OR-00028	1
26	Spring	SP-00007	1
27	Retainer Ring	TN-00093	1
28	O-Ring	OR-00002	2
29	Ball	TN-00228	1
30	Spring	SP-00021	1
31	Stop Ball	GU-02120	1

(@) Include 2 x item. 28, 1 x item. 25, 1x item.23.1 & 1x item. 23.2.

(*) Parts included in item.1

(°) Parts included in item. 1.1

(OPTIONAL) MAGNETIC SWITCH ASSEMBLY

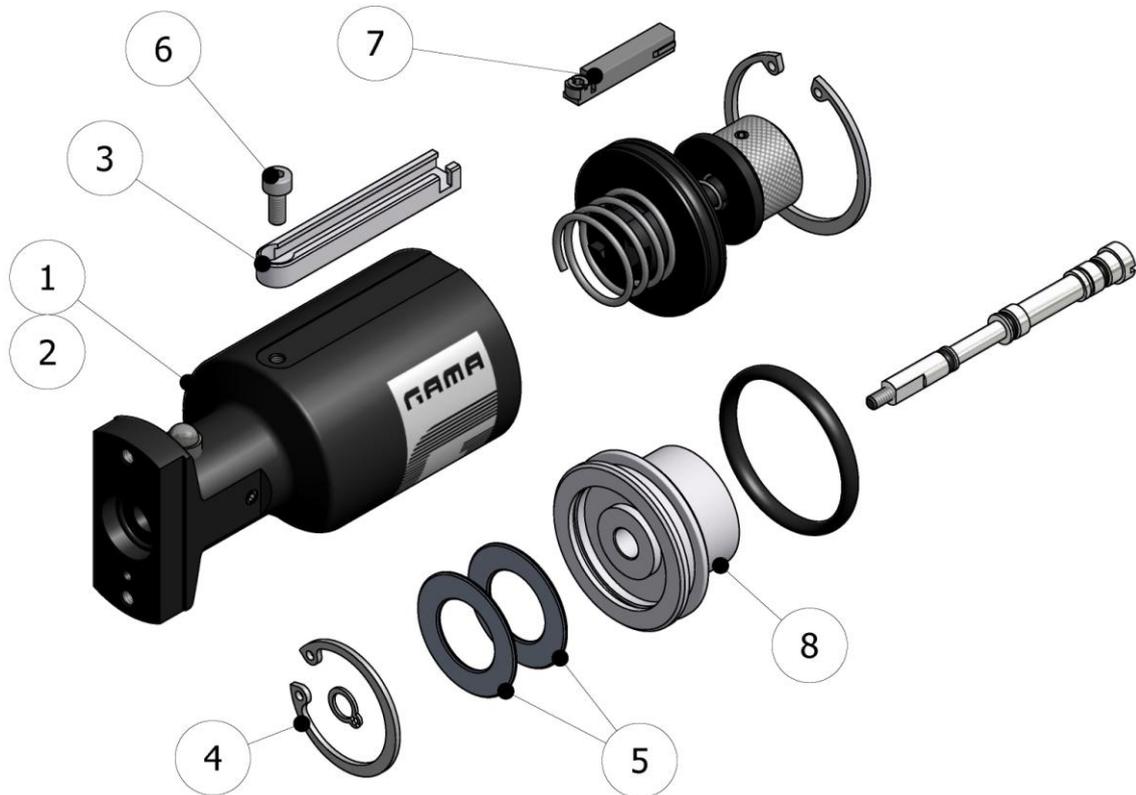


Figure 6. (OPTIONAL) Magnetic Switch Assembly, Exploded View

Table 6. (OPTIONAL) Magnetic Switch Assembly Parts List

Item	Description	Part Number	Qty.
1	Magnetic Switch Air Cylinder for Standard Version	GU-02050	1
2	Magnetic Switch Air Cylinder for Timer & Auto Version	GU-02050-A	
3	Magnetic Switch Bracket	GU-02051	1
4	Tru Arc	TN-00009	1
5	Magnet	GU-02034-02	2
6	Screw	TN-00002	1
7	Magnetic Switch with cable 2 m & Square Connector 3p	EL-00136-04	1
8	Magnetic Switch Piston	GU-02034-01	1

(OPTIONAL) TIMER ASSEMBLY

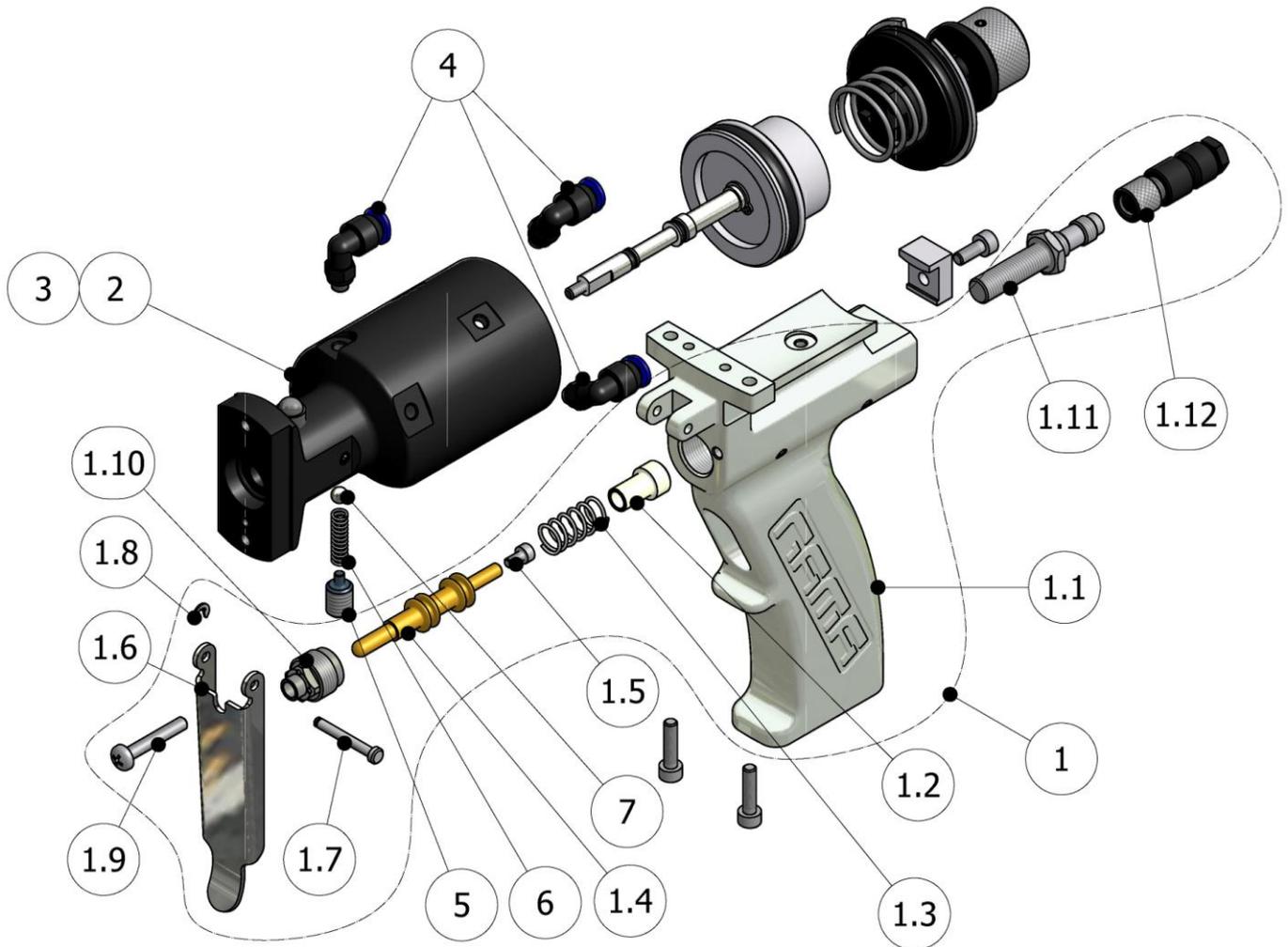


Figure 7. (OPTIONAL) Timer Assembly, Exploded View



Table 7. (OPTIONAL) Timer Assembly, Parts List

item.	Description	Part Number	Qty.
1	Handle Assy with Trigger for Timer	GU-02129-02A	1
1.1	Handle Mechanized and Polished (*)	GU-02129-A0	1
1.2	Timer Trigger Spring Seat (*)	GU-02135	1
1.3	Timer Trigger Spring (*)	SP-00023	1
1.4	Timer Trigger Shaft (*)	GU-02130-A	1
1.5	Cylindrical Head Screw (*)	TN-00020	1
1.6	Trigger (*)	GU-02132	1
1.7	Trigger Pin (*)	GU-01035	1
1.8	Retention Washer (*)	TN-00006	1
1.9	Trigger Stop Bolt (*)	TN-00235	1
1.10	Trigger Valve Nut (*)	GU-02131	1
1.11	Inductive Switch (*)	EL-00136-02	1
1.12	Cable Switch with Connectors (*)	EL-00136-07	1
2	Air Cylinder for Timer Version	GU-02002-A	1
3	Magnetic Switch Air Cylinder for Timer Version	GU-02050-A	1
4	Kneed Pneumatic Connection	RA-00088	3
5	Stop Ball	GU-02126	1
6	Spring	SP-00021	1
7	Ball	TN-00228	1

N.B.:

Fit the right Air Cylinder for the standard version of the gun with Timer or for the gun with Timer and Switch.

(*) Parts included in item. 1

(OPTIONAL) AUTOMATIC ASSEMBLY

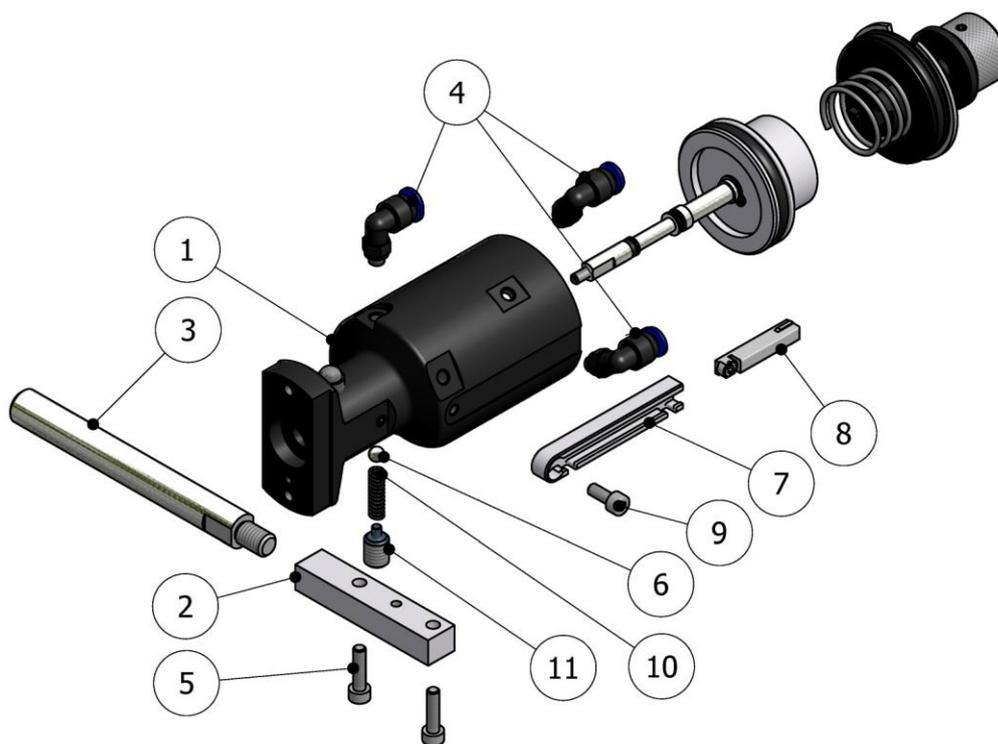


Figure 8. (OPTIONAL) Automatic Assembly

Table 8. (OPTIONAL) Automatic Assembly, Parts List

Item.	Description	Part Number	Qty.
1	Automatic Air Cylinder with Magnetic Switch	GU-02050-A	1
2	Rod Support	GU-02055	1
3	Connection Rod	GU-02056	1
4	Elbow	RA-00088	3
5	Screw	TN-00001	2
6	Ball	TN-00228	1
7	Magnetic Switch Bracket	GU-02051	1
8	Magnetic Switch with cable 2m+Square Connector 3p.	EL-00136-04	1
9	Srew	TN-00002	1
10	Spring	SP-00021	1
11	Stop Ball	GU-02126	1

ROUND SPRAY PATTERN ASSEMBLY

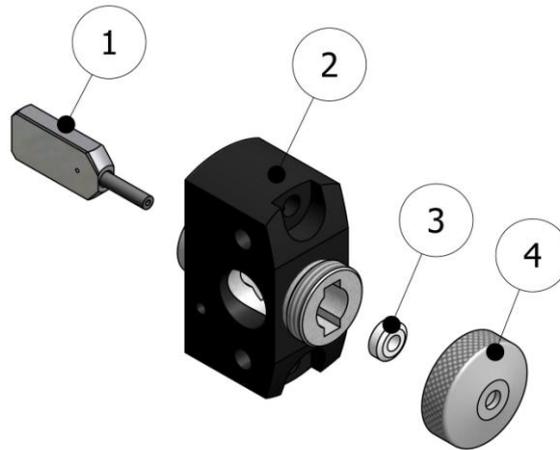


Figure 9. Round Spray Tip Assembly, Exploded View

Table 9. Round Spray Tip Assembly, Parts List

Item	Description	Part Number	Qty.
1	Mixing Chamber Assembly	See Table 10	1
2	Gun Block	GU-02004-00	1
3	Air Seal	See Table 10	1
4	Air Cap	See Table 10	1

Table 10. Round Tip Assembly, Parts List

Output (Kg/min.)	Mixing Chamber Assembly	Air Cap	Air Seal
1,3 – 2,7	GU-02011-00	GU-02028	GU-02024 *
2,2 – 4	GU-02012-00	GU-02028	GU-02024 *
4,5 – 9	GU-02013-00	GU-02028	GU-02024 *
5,4 – 13,5	GU-02014-00	GU-02028	GU-02024 *
9 - 20	GU-02015-00	GU-02029	GU-02023 *
13,5 - 27	GU-02016-00	GU-02029	GU-02023 *

* Included in Mixing Chamber Assembly

FLAT SPRAY PATTERN ASSEMBLY

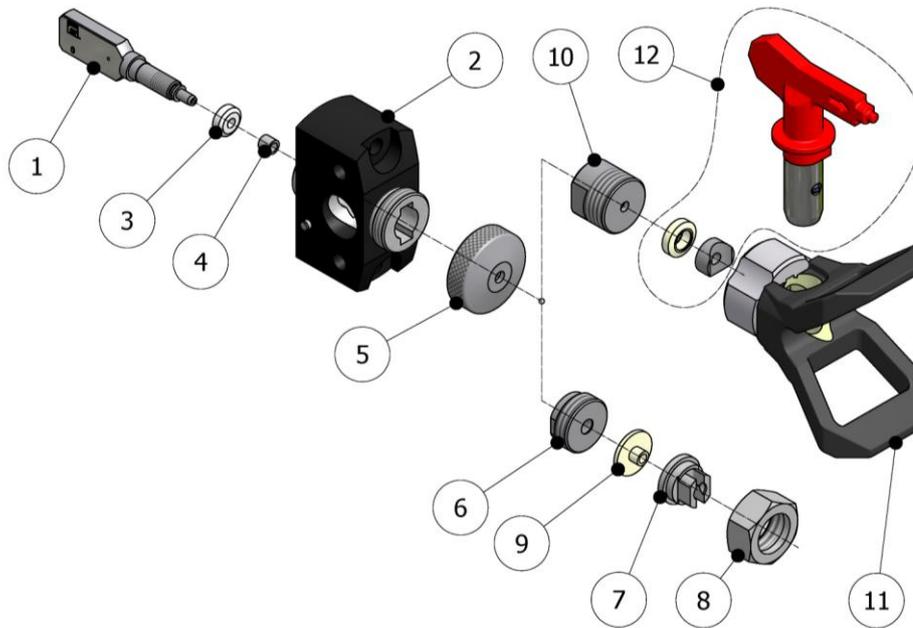


Figure 10. Flat Spray Tip Assembly, Exploded View

Table 11. Flat Spray Tip Assembly, Parts List

Item	Description	Part Number	Qty.
1	Mixing Chamber Assembly	See Table 12 *	1
2	Gun Block	GU-02004-00	1
3	Air Seal	GU-02022 *	1
4	Seal	See Table 12 *	1
5	Air Cap	GU-02027	1
6	PCD Adapter	See Table 12	1
7	Flat TIP	See Table 15	1
8	Retaining Nut	GU-02042-01	1
9	Seal	See Table 12	
10	Adapter reversible TIP support (OPTIONAL)	See Table 12	1
11	Reversible TIP support (OPTIONAL)	GU-05017	1
12	Reversible TIP (OPTIONAL)	See Table 16	1

* Included in Mixing Chamber Assembly



Table 12. Parts List According to Production Flat Mixing Chamber

Standard Flat TIP						
Output (Kg/min.)	Mixing Chamber Assy	SIZE	item.1	item.4	item.6	item.9
			Chamber	Seal	PCD Adapter	Seal
1,3 – 2,7	GU-02071-00	0	GU-02071	-	GU-02090-01	GU-02041-01
2,2 – 4	GU-02072-00	1	GU-02072	-	GU-02090-01	GU-02041-01
4,5 – 9	GU-02073-00	2	GU-02073	-	GU-02090-01	GU-02041-01
5,5-13,5	GU-02074-00	3	GU-02074	-	GU-02090-01	GU-02041-01
9-20	GU-02075-00	4	GU-02075	GU-02053	GU-02090-02	-
13,5-27	GU-02076-00	5	GU-02076	GU-02053	GU-02090-02	-

Reversible TIP (OPTIONAL)				
Output (Kg/min.)	SIZE Mixing Chamber	Item.1	Item.4	Item.10
		Mixing Chamber	Seal	Adapter reversible TIP support (OPTIONAL)
4,5 – 9	2	GU-02073	GU-02048	GU-02043-01

(OPTIONAL) STATIC MIXER ASSEMBLY

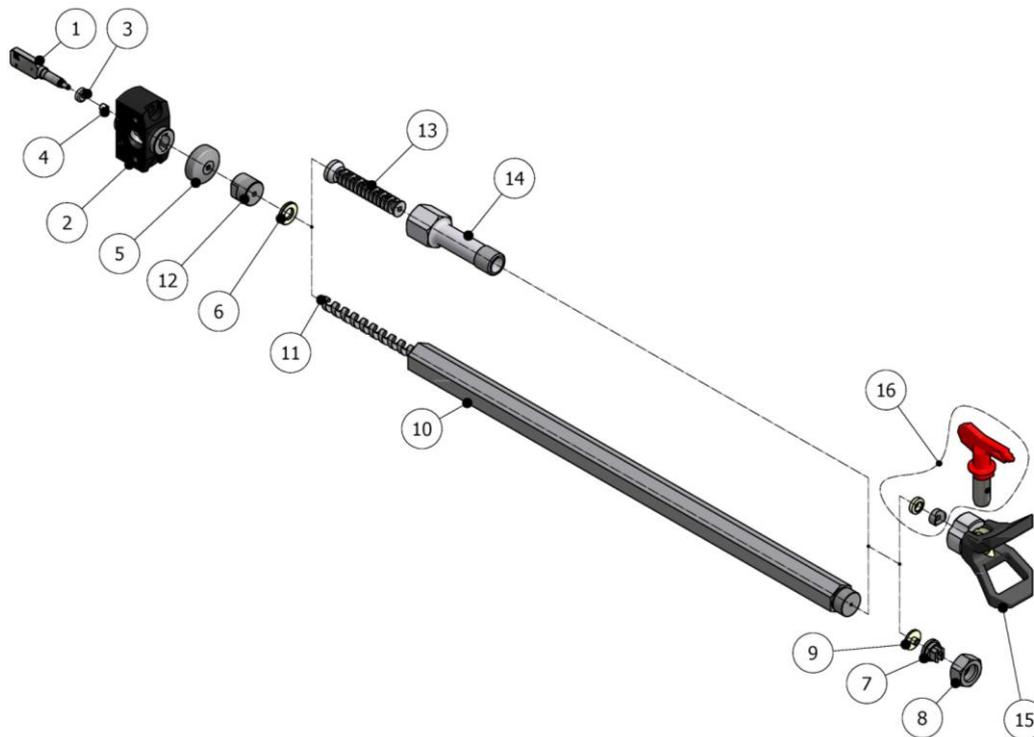


Figure 11. (OPTIONAL) Static Mixer Assembly, Exploded View

Table 13. (OPTIONAL) Static Mixer Assembly, Parts List

Item	Description	Part Number	Qty.
1	Mixing Chamber	See Table 14 *	1
2	Gun Block	GU-02004-00	1
3	Air Seal	GU-02022 *	1
4	Seal	See Table 14 *	1
5	Air Cap	GU-02027	1
6	Seal	GU-05019	1
7	Flat TIP	See Table 15	1
8	Retaining Nut	GU-02042-01	1
9	Seal	GU-02041-01	1
10	Standard Static Chamber	See Table 17	1
11	Standard Mixing Element	See Table 17	1

* Included in Mixing Chamber Assembly



Item	Description	Part Number	Qty.
12	Static Mixer Adapter	See Table 14	1
13	Labyrinth Mixing Element	See Table 18	1
14	Static Chamber	See Table 18	1
15	Reversible TIP support	GU-05017	1
16	Reversible TIP	See Table 16	1

Table 14. Parts List According to Production

Output (Kg/min.)	SIZE	item.1	item.4	item.12
		Mixing Chamber	Seal	Static Mixer Adapter
1,3 – 2,7	0	GU-02071	GU-02048	GU-02043-01
2,2 – 4	1	GU-02072	GU-02048	GU-02043-01
4,5 – 9	2	GU-02073	GU-02048	GU-02043-01
5,5-13,5	3	GU-02074	GU-02048	GU-02043-01
9-20	4	GU-02075	GU-02053	GU-02054-01
13,5-27	5	GU-02076	GU-02053	GU-02054-01



Table 15. Standard TIP Sizes

Standard TIP	Orifice Size mm	Pattern Width cm (*)
GU-02045-1910	0.48	10
GU-02045-1915	0.48	15
GU-02045-1920	0.48	20
GU-02045-1930	0.48	30
GU-02045-1935	0.48	35
GU-02045-1940	0.48	40
GU-02045-1945	0.48	45
GU-02045-2310	0.58	10
GU-02045-2315	0.58	15
GU-02045-2320	0.58	20
GU-02045-2325	0.58	25
GU-02045-2330	0.58	30
GU-02045-2335	0.58	35
GU-02045-2340	0.58	40
GU-02045-2720	0.69	20
GU-02045-2725	0.69	25
GU-02045-2730	0.69	30

Table 16. Reversible TIP Sizes

Reversible TIP	Orifice Size mm	Pattern Width cm (*)
GU-05016-2310	0.58	10
GU-05016-2320	0.58	20
GU-05016-2340	0.58	40
GU-05016-2720	0.69	20
GU-05016-2730	0.69	30
GU-05016-3520	0.90	20
GU-05016-3530	0.90	30
GU-05016-3540	0.90	40

(*) Values obtained with water to 130 bar of pressure and to 30 cm of the projected surface.

Delivery times for these elements, consult with the Marketing department.



Table 17. Standard Static Chamber and Mixing Element

Standard Static Chamber	Standard Mixing Element	Mixing Element Length
GU-02046-25	GU-02047-25	25
GU-02046-50	GU-02047-50	50
GU-02046-100	GU-02047-100	100
GU-02046-150	GU-02047-150	150
GU-02046-200	GU-02047-200	200
GU-02046-300	GU-02047-300	300
GU-02046-400	GU-02047-400	400
GU-02046-500	GU-02047-500	500

Table 18. Static Chamber and Mixing Element

Length	Static Chamber GU-04045	Labyrinth Mixing Element GU-04046	Seal GU-05019
65	1x	1x	1x
130	2x	2x	2x
195	3x	3x	3x
260	4x	4x	4x

Table 19. Cleanout Drill Size

Size	Round Mixing Chamber	Flat Mixing Chamber	Mixing Chamber Nozzle Cleanout Drill Size	Part Number	Mixing Chamber Port Cleanout Drill Seize	Part Number
0	GU-02011-00	GU-02071-00	1.30	HT-00062	0.90	HT-00063
1	GU-02012-00	GU-02072-00	1.55	HT-00064	1.05	HT-00065
2	GU-02013-00	GU-02073-00	1.75	HT-00029	1.30	HT-00062
3	GU-02014-00	GU-02074-00	2.25	HT-00030	1.55	HT-00064
4	GU-02015-00	GU-02075-00	2.50	HT-00013	1.80	HT-00014
5	GU-02016-00	GU-02076-00	3.10	HT-00012	2.25	HT-00030

(OPTIONAL) POUR ADAPTER

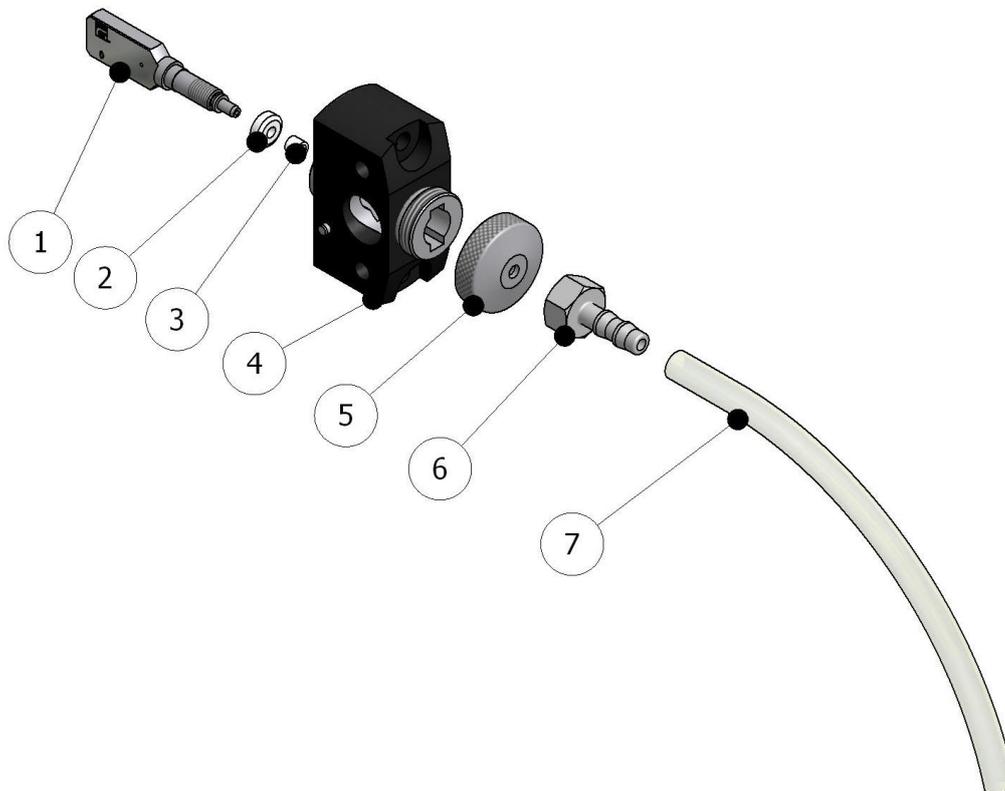


Figure 12. (OPTIONAL) Pour Adapter, Exploded View

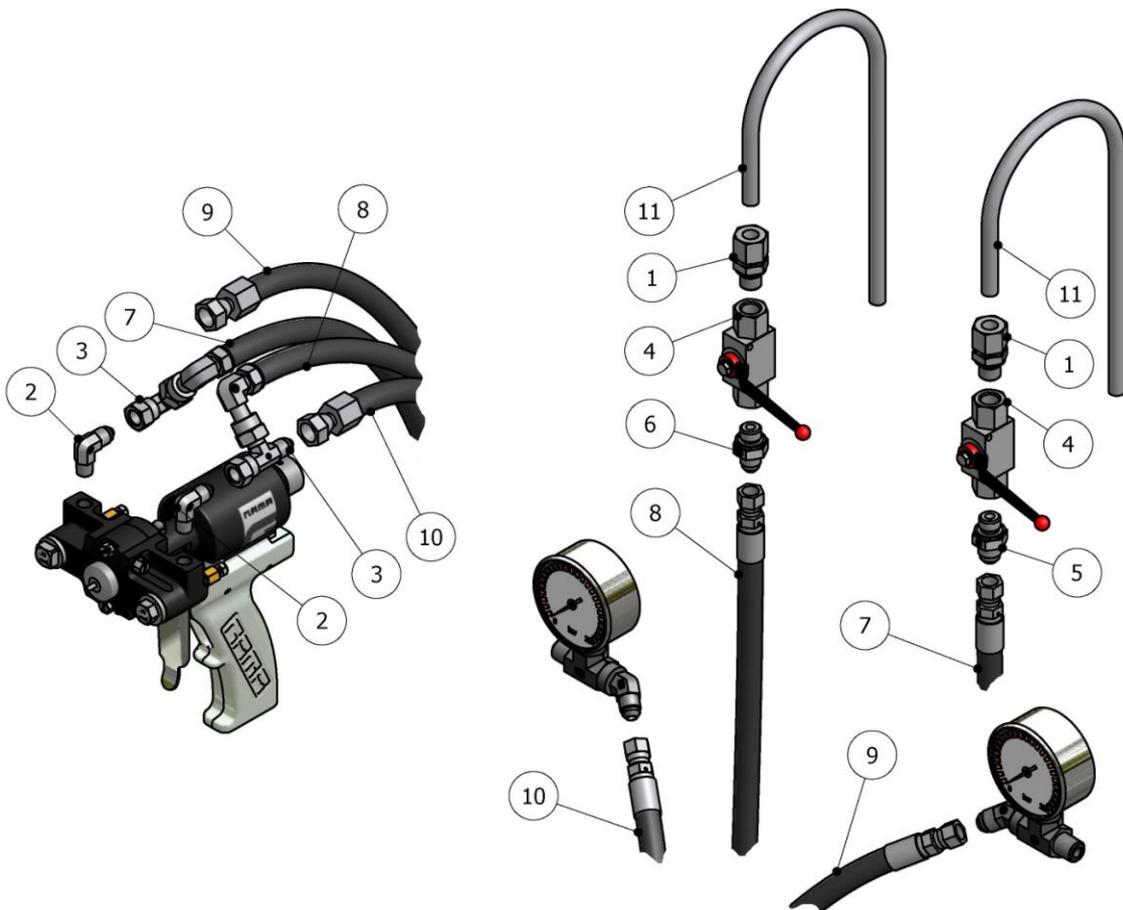
Table 20. (OPTIONAL) Pour Adapter Assembly, Parts List

Item	Description	Part Number	Qty.
1	Mixing Chamber Assembly	See Table 14	1
2	Air Seal	GU-02022 *	1
3	Seal	See Table 14 *	
4	Gun Block	GU-02004-00	1
5	Air Cap	GU-02027	1
6	Pour Adapter	GU-02094-01	1
7	Pipe 1/4 " inside diameter	NE-00043-SIZE	1

* Included in Mixing Chamber Assembly

The "SIZE" of item 7 is the wished length of pipe.

(OPTIONAL) RECIRCULATION KIT



**Figure 13. (OPTIONAL) Recirculation Kit, Exploded View
KT-00059**



**Table 21. (OPTIONAL) Recirculation Kit, Parts List
KT-00059**

Item.	Description	Part Number	Qty.
1	Male Stud Connector	RA-00218	2
2	Street Elbow	RA-00247	2
3	Swivel Nut Run Tee	RA-00234	2
4	Ball Valve	RA-00217	2
5	Male Union	RA-00145	1
6	Male Union	RA-00144	1
7	R Product Recirculation Hose 11000 mm	MA-00062	1
8	A Product Recirculation Hose 11000 mm	MA-00061	1
9	R Product Inlet Hose 10000 mm	MA-00059	1
10	A Product Inlet Hose 10000 mm	MA-00060	1
11	Doubled pipe	MQ-06016	2



CONTENTS

Warranty	2
Standard Final Assembly	3
(OPTIONAL) Final Assembly	5
Plastic Seal Kit	7
Metallic Seal Kit	8
Handle Assembly	9
(OPTIONAL) Magnetic switch Assembly	12
(OPTIONAL) Timer Assembly	13
(OPTIONAL) Automatic Assembly	15
Round Spray Pattern Assembly	16
Flat Spray Pattern Assembly	17
(OPTIONAL) Static Mixer Assembly	19
(OPTIONAL) Pour Adapter	23
(OPTIONAL) Recirculation Kit	24
Contents	26
List of Figures	26

LIST OF FIGURES

Figure 1. Standard Final Assembly, Exploded View	3
Figure 2. (OPTIONAL) Final Assembly, Exploded View	5
Figure 3. Plastic Seal Kit, Part Number GU-02030-00	7
Figure 4. Metallic Seal Kit, Part Number GU-02031-04/05	8
Figure 5. Handle Assembly, Exploded View	9
Figure 6. (OPTIONAL) Magnetic Switch Assembly, Exploded View	12
Figure 7. (OPTIONAL) Timer Assembly, Exploded View	13
Figure 8. (OPTIONAL) Automatic Assembly	15
Figure 9. Round Spray Tip Assembly, Exploded View	16
Figure 10. Flat Spray Tip Assembly, Exploded View	17
Figure 11. (OPTIONAL) Static Mixer Assembly, Exploded View	19
Figure 12. (OPTIONAL) Pour Adapter, Exploded View	23
Figure 13. (OPTIONAL) Recirculation Kit, Exploded View	24